

F = FINITURE
F = FINISHES
F = FINITIONS

25 alluminio anodizzato inox
anodized aluminium steel colour
aluminium anodisé inox

67 alluminio lucido
bright aluminium
aluminium poli

BNL alluminio laccato bianco
white lacquered aluminium
aluminium laqué blanc

81 alluminio satinato opaco
satin mat lacquered aluminium
aluminium satiné verni mat

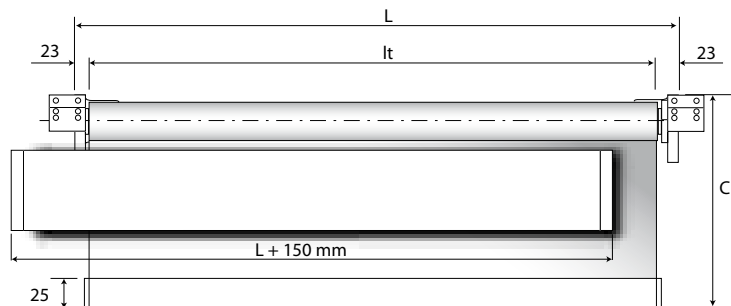
A2 tortora
dove-colored
tourterelle

A3 beige
beige
beige

ARCADIA

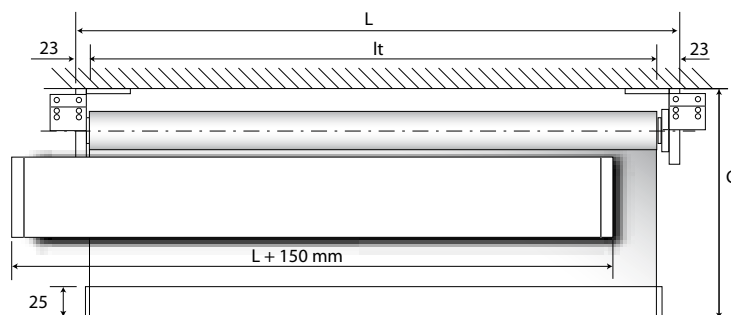
Sistema a parete - Wall system - Système de face
COD. 623A19

Sistema a soffitto - Ceiling system - Système plafond
COD. 623T19

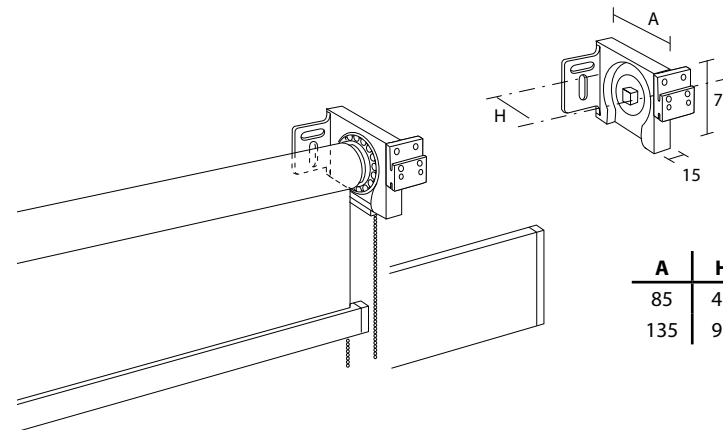


vista frontale - frontal view - vue de face

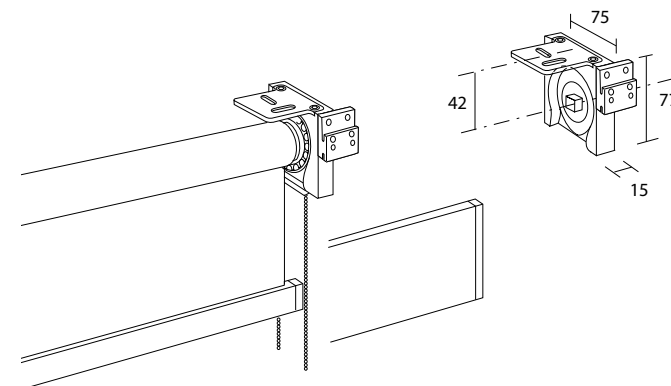
Rullo in alluminio: Ø40 fino a 200 cm - Ø46 oltre 200 cm
Aluminium tube : Ø40 up to 200 cm - Ø46 over 200 cm
Tube aluminium: Ø40 jusqu'à 200 cm - Ø46 au-delà 200 cm



vista frontale - frontal view - vue de face



A	H	COD
85	45	623418 DX/SX
135	95	623438 DX/SX



L = larghezza sistema (cm)
system width (cm)
largeur système (cm)

Dx = Destro - Right - Droit
Sx = Sinistro - Left - Gauche

lt = larghezza singolo tessuto
fabric width per unit
largeur chaque toile

C = altezza tessuto (cm)
fabric width (cm)
hauteur de la toile (cm)

$lt = L - 46 \text{ mm}$

COD. 623A19...DX/SX

COD. 623T19...DX/SX

F \ L	80	100	120	140	160	180	200	220	240	260	280	300
25 - BNL - A2- A3												
67												
81												