

F = FINITURE
F = FINISHES
F = FINITIONS

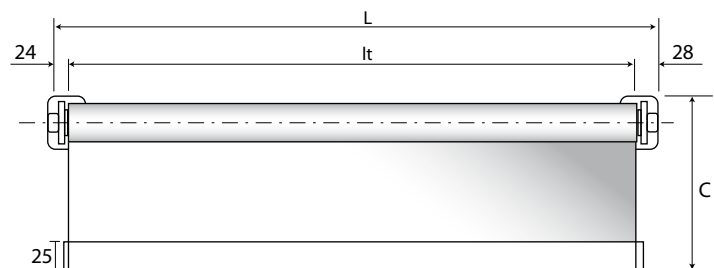
25 alluminio anodizzato inox
anodized aluminium steel colour
aluminium anodisé inox

67 alluminio lucido
bright aluminium
aluminium poli

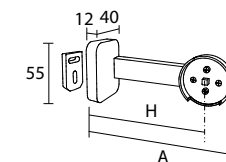
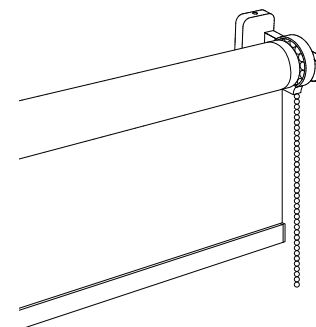
BNL alluminio laccato bianco
white lacquered aluminium
aluminium laqué blanc



Sistema a parete - Wall system - Système de face



vista frontale - frontal view - vue de face



A	H	COD
82	55	833419 DX/SX
132	105	833439 DX/SX
182	155	833449 DX/SX

lt = L - 52 mm

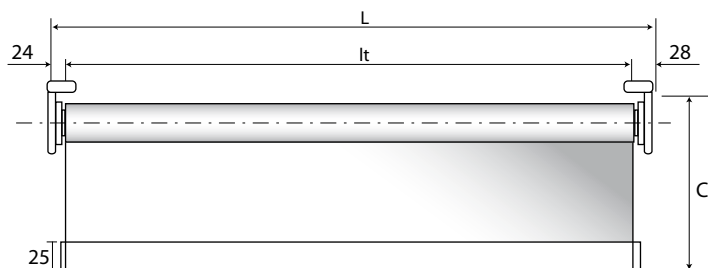
COD. 833A19...DX/SX

con supporto - with bracket - avec support 833419

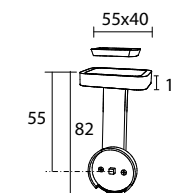
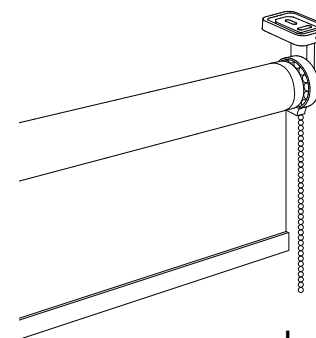
F \ L	80	100	120	140	160	180	200					
25 - BNL												
67												

ruolo in acciaio Ø25 fino a 160 cm - rullo in alluminio: Ø35 oltre 160 cm / steel tube Ø25 up to 160 cm - aluminium tube Ø35 over 160 cm / tube acier Ø25 jusqu'à 160 cm - tube aluminium Ø35 au-delà 160 cm

Sistema a soffitto - Ceiling system - Système plafond



vista frontale - frontal view - vue de face



L = larghezza sistema (cm)
system width (cm)
largeur système (cm)
Dx = Destro - Right - Droit
Sx = Sinistro - Left - Gauche

lt = larghezza singolo tessuto
fabric width per unit
largeur chaque toile
C = altezza tessuto (cm)
fabric width (cm)
hauteur de la toile (cm)

lt = L - 52 mm

COD. 833T19...DX/SX

con supporto - with bracket - avec support 833429

F \ L	80	100	120	140	160	180	200					
25 - BNL												
67												

ruolo in acciaio Ø25 fino a 160 cm - rullo in alluminio: Ø35 oltre 160 cm / steel tube Ø25 up to 160 cm - aluminium tube Ø35 over 160 cm / tube acier Ø25 jusqu'à 160 cm - tube aluminium Ø35 au-delà 160 cm