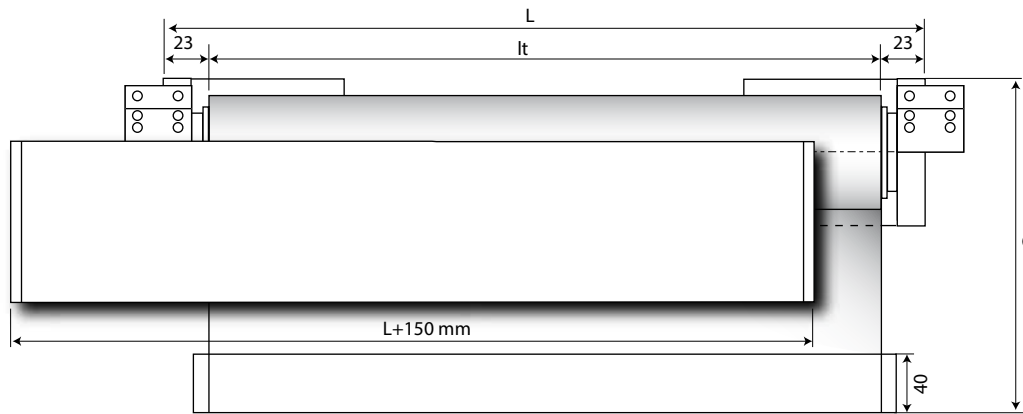
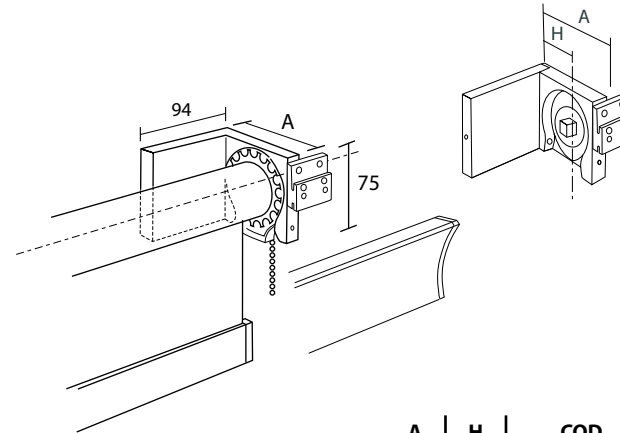


Sistema a parete - Wall system - Système de face



vista frontale - frontal view - vue de face



A	H	COD
94	53	923419 DX/SX
144	103	923439 DX/SX
192	151	923449 DX/SX
242	201	923479 DX/SX

It = L - 46 mm

- A** = sporgenza supporto
bracket's projection
retour support
- H** = distanza parete
wall distance
retour du mur
- L** = larghezza sistema (cm)
system width (cm)
largeur système (cm)
- Dx** = Destro - Right - Droit
- Sx** = Sinistro - Left - Gauche
- It** = larghezza singolo tessuto
fabric width per unit
largeur chaque toile
- C** = altezza tessuto (cm)
fabric width (cm)
hauteur de la toile (cm)

COD. 813A19...DX/SX

con supporto - with bracket - avec support 923419

F L	80	100	120	140	160	180	200	220	240	260	280	300
25/312/3122 A225/A325/A525												
A267/A367/A567/3126												

F = FINITURE 25 alluminio anodizzato inox
 F = FINISHES anodized aluminium steel colour
 F = FINITIONS aluminium anodisé inox

67 alluminio lucido
 bright aluminium
 aluminium poli

312 bianco opaco
 mat white
 blanc mat

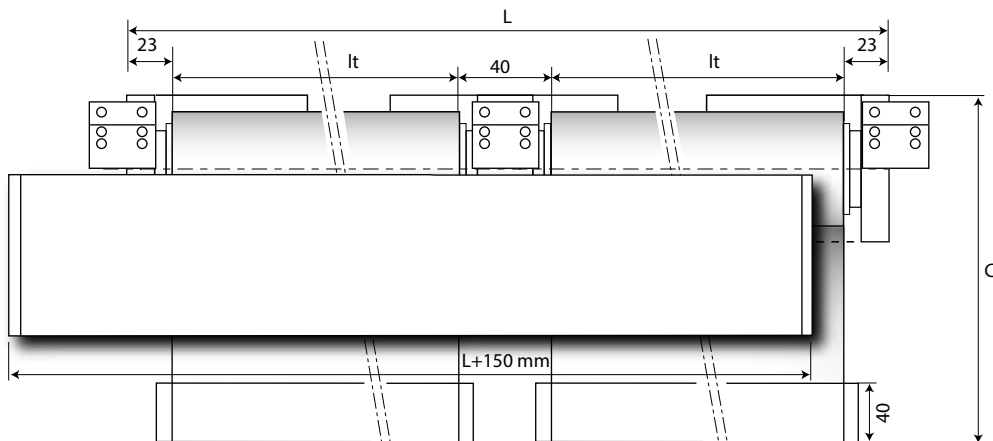
A2 Tortora
 Dove-colored
 Tourterelle

A3 Beige
 Beige
 Beige

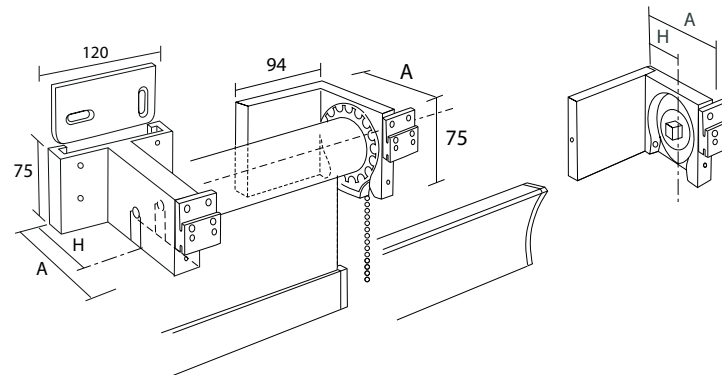
A5 tortora perlato
 pearled dove colored
 tourterelle perlé

CARENA

Sistema continuo a parete - Wall consecutive system - Système continu de face



vista frontale - frontal view - vue de face



- A** = sporgenza supporto
bracket's projection
retour support
- H** = distanza parete
wall distance
retour du mur
- L** = larghezza sistema (cm)
system width (cm)
largeur système (cm)
- It** = larghezza singolo tessuto
fabric width per unit
largeur chaque toile
- C** = altezza tessuto (cm)
fabric width (cm)
hauteur de la toile (cm)

$$It = \frac{L - 86 \text{ mm}}{2}$$

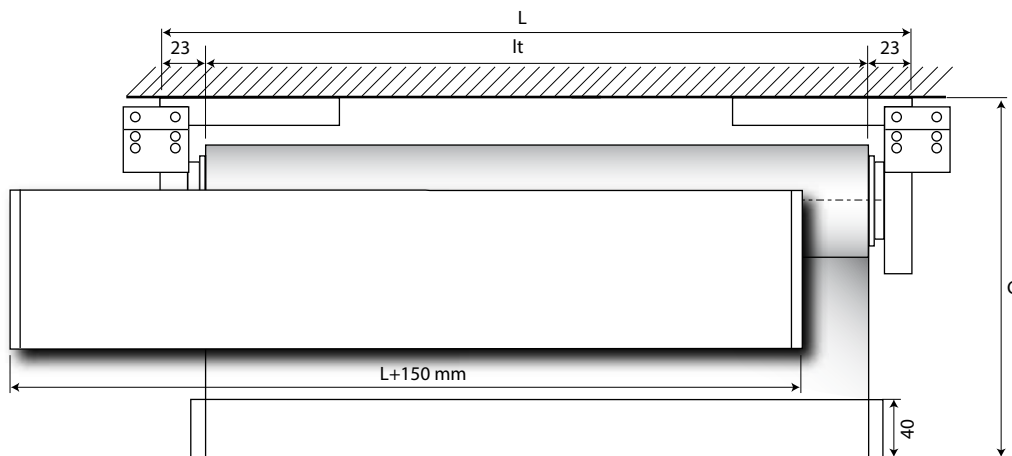
A	H	COD
94	53	923614
144	103	923664

COD. 813B14

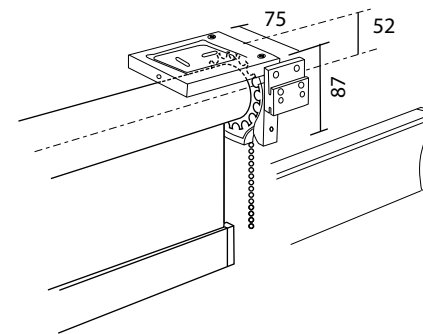
con supporto - with bracket - avec support 923614

F L	160	200	240	280	320	360	400	440	480	520	560	600
25/312/3122 A225/A325/A525												
A267/A367/A567/3126												

Sistema a soffitto - Ceiling system - Système plafond



vista frontale - frontal view - vue de face



$lt = L - 46 \text{ mm}$

- L** = larghezza sistema (cm)
system width (cm)
- lt** = larghezza singolo tessuto
fabric width per unit
largeur chaque toile
- C** = altezza tessuto (cm)
fabric width (cm)
hauteur de la toile (cm)

COD. 813T29...DX/SX

F L	80	100	120	140	160	180	200	220	240	260	280	300
25/312/3122 A225/A325/A525												
A267/A367/A567/3126												