

F = FINITURE
F = FINISHES
F = FINITIONS

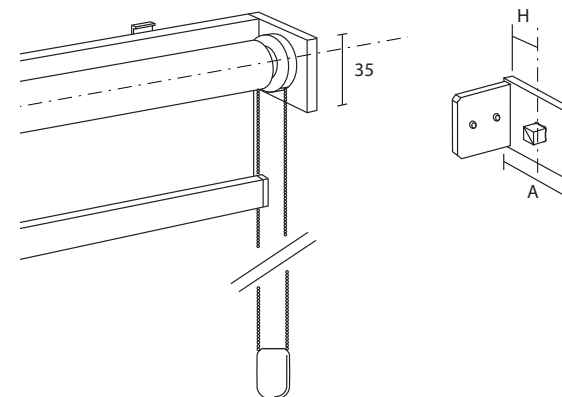
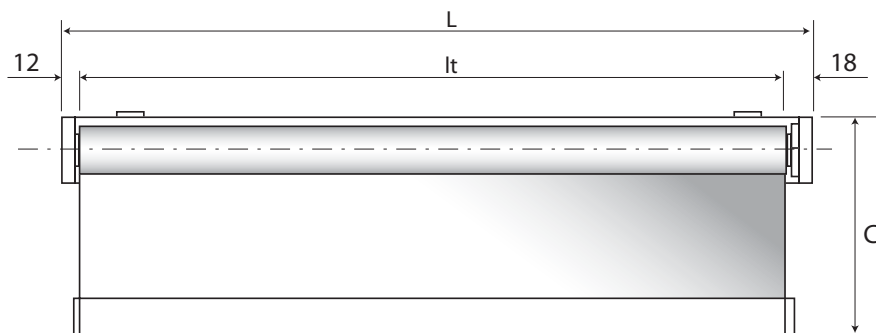
25 alluminio anodizzato inox
anodized aluminium steel colour
aluminium anodisé inox

65 oro opaco
matt gold
or mat

67 alluminio lucido
bright aluminium
aluminium poli

CRUX 17

Sistema a parete - Wall system - Système de face



| A | H | COD |
|----|----|--------------|
| 48 | 28 | 509405 DX/SX |
| 66 | 36 | 509415 DX/SX |

$It = L - 30 \text{ mm}$

COD. 509A05... DX/SX

con supporto - with bracket - avec support 509405

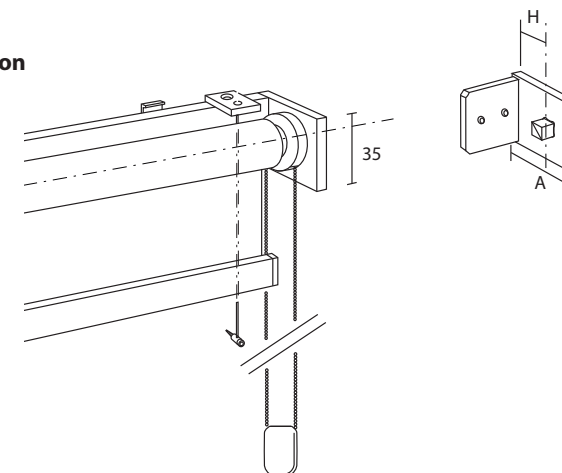
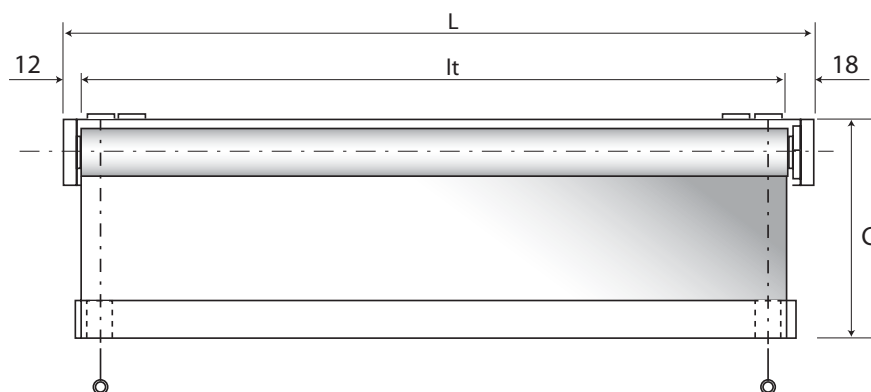
| F | L | 50 | 60 | 80 | 100 |
|-------|---|----|----|----|-----|
| 25-65 | | | | | |
| 67 | | | | | |

COD. 509A15... DX/SX

con supporto - with bracket - avec support 509415

| F | L | 50 | 60 | 80 | 100 |
|-------|---|----|----|----|-----|
| 25-65 | | | | | |
| 67 | | | | | |

Sistema a parete con guide nylon - Wall system with nylon guides - Système de face avec guidage nylon



- A = sporgenza supporto
bracket's projection
retour support
- H = distanza parete
wall distance
retour du mur
- L = larghezza sistema (cm)
system width (cm)
largeur système (cm)
- Dx** = Destro - Right - Droit
- Sx** = Sinistro - Left - Gauche
- It** = larghezza singolo tessuto
fabric width per unit
largeur chaque toile
- C** = altezza tessuto (cm)
fabric width (cm)
hauteur de la toile (cm)

| A | H | COD |
|----|----|--------------|
| 48 | 28 | 509405 DX/SX |
| 66 | 36 | 509415 DX/SX |

COD. 509G05... DX/SX

con supporto - with bracket - avec support 509405

| F | L | 50 | 60 | 80 | 100 |
|-------|---|----|----|----|-----|
| 25-65 | | | | | |
| 67 | | | | | |

COD. 509G15 ... DX/SX

con supporto - with bracket - avec support 509415

| F | L | 50 | 60 | 80 | 100 |
|-------|---|----|----|----|-----|
| 25-65 | | | | | |
| 67 | | | | | |

$It = L - 30 \text{ mm}$



F = FINITURE
F = FINISHES
F = FINITIONS

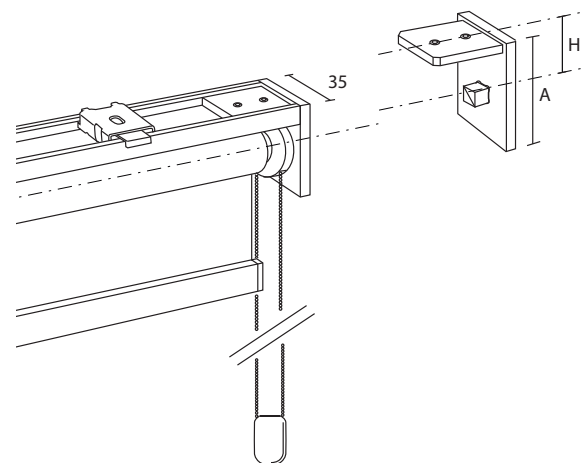
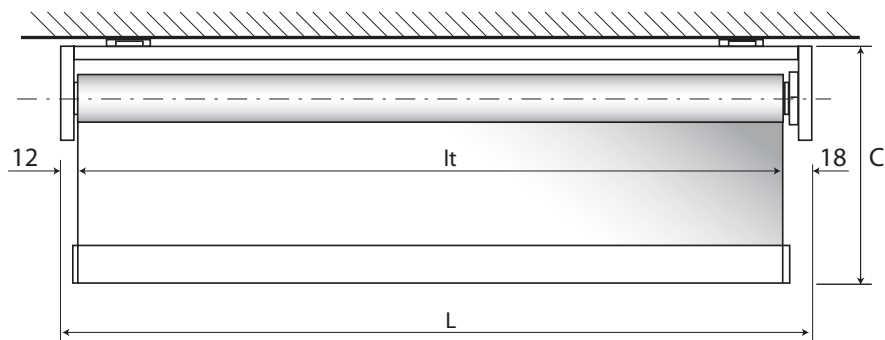
25 alluminio anodizzato inox
anodized aluminium steel colour
aluminium anodisé inox

65 oro opaco
matt gold
or mat

67 alluminio lucido
bright aluminium
aluminium poli

CRUX 17

Sistema a soffitto - Ceiling system - Système plafond



| A | H | COD |
|----|----|--------------|
| 48 | 28 | 509505 DX/SX |
| 66 | 36 | 509515 DX/SX |

$lt = L - 30 \text{ mm}$

COD. 509505... DX/SX

con supporto - with bracket - avec support 509505

| F | L | 50 | 60 | 80 | 100 |
|-------|---|----|----|----|-----|
| 25-65 | | | | | |
| 67 | | | | | |

COD. 509515 ... DX/SX

con supporto - with bracket - avec support 509515

| F | L | 50 | 60 | 80 | 100 |
|-------|---|----|----|----|-----|
| 25-65 | | | | | |
| 67 | | | | | |

A = sporgenza supporto
bracket's projection
retour support

H = distanza parete
wall distance
retour du mur

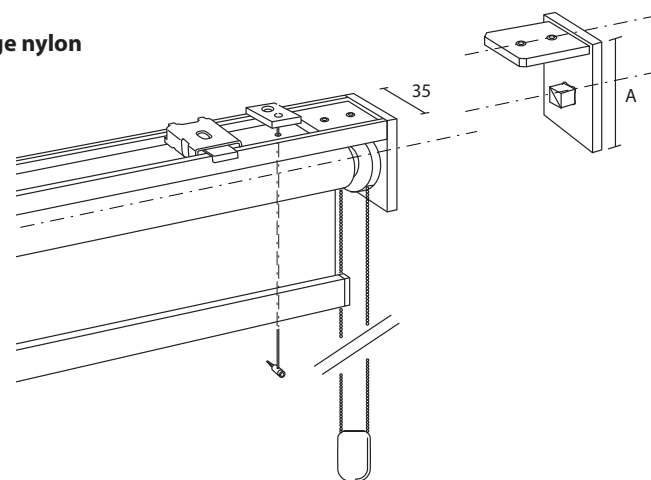
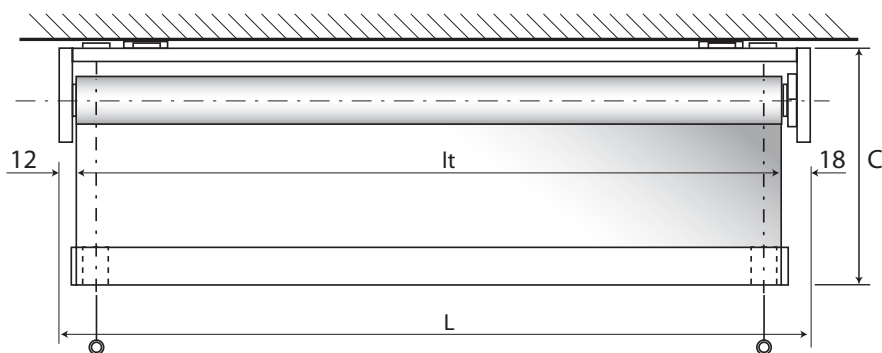
L = larghezza sistema (cm)
system width (cm)
largeur système (cm)

Dx = Destro - Right - Droit
Sx = Sinistro - Left - Gauche

lt = larghezza singolo tessuto
fabric width per unit
largeur chaque toile

C = altezza tessuto (cm)
fabric width (cm)
hauteur de la toile (cm)

Sistema a soffitto con guide nylon - Ceiling system with nylon guides - Système plafond avec guidage nylon



| A | H | COD |
|----|----|--------------|
| 48 | 28 | 509505 DX/SX |
| 66 | 36 | 509515 DX/SX |

COD. 509T05... DX/SX

con supporto - with bracket - avec support 509505

| F | L | 50 | 60 | 80 | 100 |
|-------|---|----|----|----|-----|
| 25-65 | | | | | |
| 67 | | | | | |

COD. 509T15 ... DX/SX

con supporto - with bracket - avec support 509515

| F | L | 50 | 60 | 80 | 100 |
|-------|---|----|----|----|-----|
| 25-65 | | | | | |
| 67 | | | | | |

$lt = L - 30 \text{ mm}$

F = FINITURE
F = FINISHES
F = FINITIONS

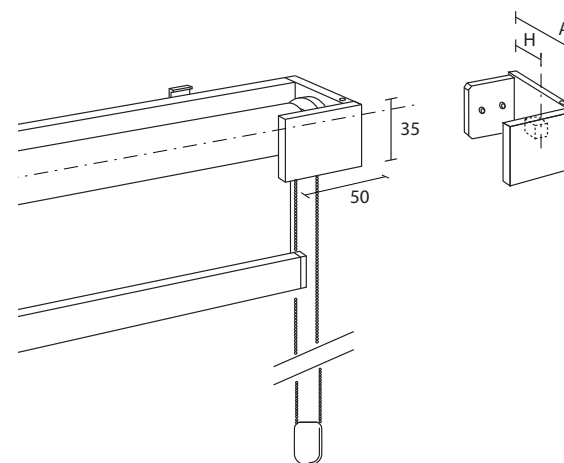
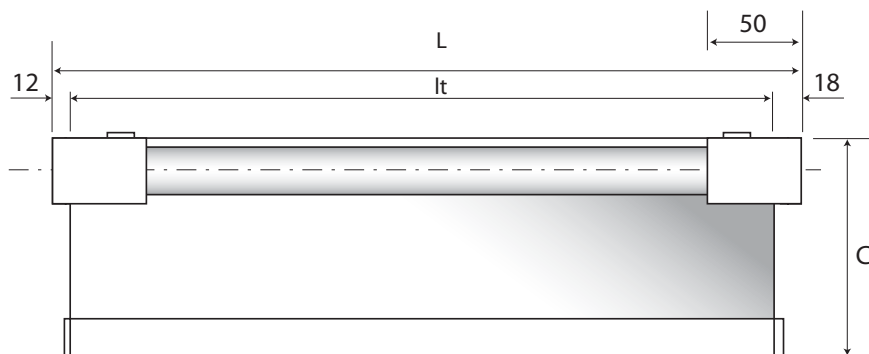
25 alluminio anodizzato inox
anodized aluminium steel colour
aluminium anodisé inox

65 oro opaco
matt gold
or mat

67 alluminio lucido
bright aluminium
aluminium poli

CRUX PLUS 17

Sistema a parete - Wall system - Système de face



| A | H | COD |
|----|----|--------------|
| 54 | 28 | 559405 DX/SX |
| 72 | 36 | 559415 DX/SX |

$lt = L - 30 \text{ mm}$

COD. 559A05 ... DX/SX

con supporto - with bracket - avec support 559405

| F | L | 50 | 60 | 80 | 100 |
|-------|---|----|----|----|-----|
| 25-65 | | | | | |
| 67 | | | | | |

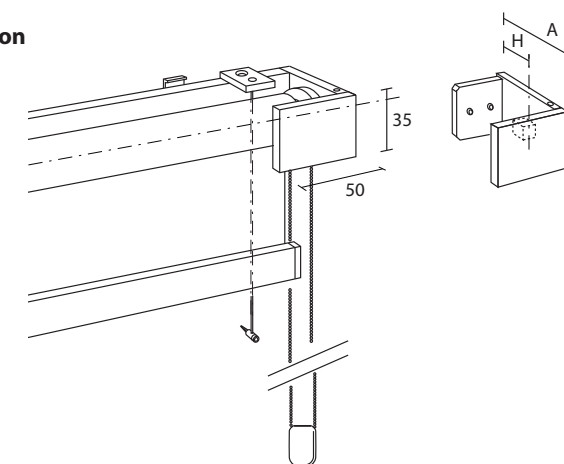
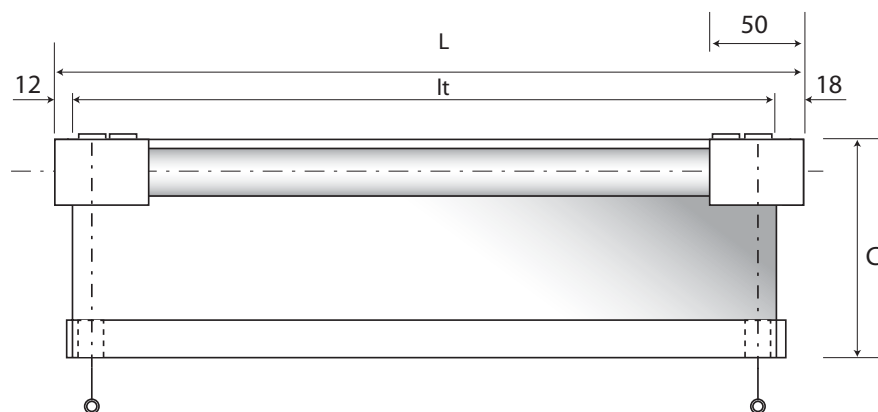
COD. 559A15 ... DX/SX

con supporto - with bracket - avec support 559415

| F | L | 50 | 60 | 80 | 100 |
|-------|---|----|----|----|-----|
| 25-65 | | | | | |
| 67 | | | | | |

- A = sporgenza supporto
bracket's projection
retour support
- H = distanza parete
wall distance
retour du mur
- L = larghezza sistema (cm)
system width (cm)
largeur système (cm)
- Dx = Destro - Right - Droit
- Sx = Sinistro - Left - Gauche
- lt = larghezza singolo tessuto
fabric width per unit
largeur chaque toile
- C = altezza tessuto (cm)
fabric width (cm)
hauteur de la toile (cm)

Sistema a parete con guide nylon - Wall system with nylon guides - Système de face avec guidage nylon



| A | H | COD |
|----|----|--------------|
| 54 | 28 | 559405 DX/SX |
| 72 | 36 | 559415 DX/SX |

COD. 559G05 ... DX/SX

con supporto - with bracket - avec support 559405

| F | L | 50 | 60 | 80 | 100 |
|-------|---|----|----|----|-----|
| 25-65 | | | | | |
| 67 | | | | | |

COD. 559G15 ... DX/SX

con supporto - with bracket - avec support 559415

| F | L | 50 | 60 | 80 | 100 |
|-------|---|----|----|----|-----|
| 25-65 | | | | | |
| 67 | | | | | |

$lt = L - 30 \text{ mm}$



F = FINITURE
F = FINISHES
F = FINITIONS

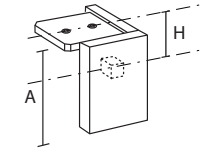
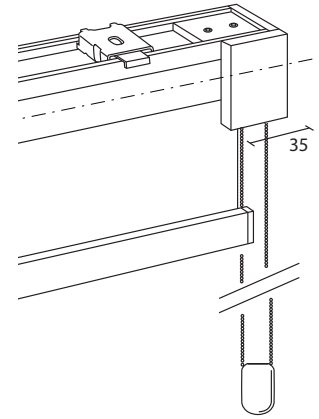
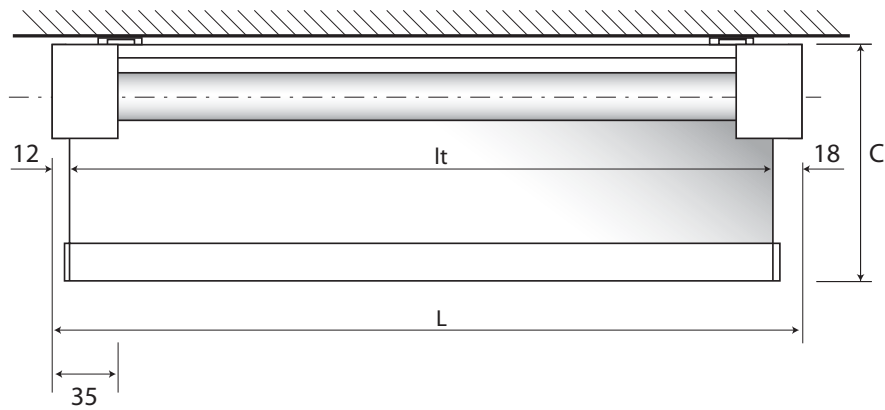
25 alluminio anodizzato inox
anodized aluminium steel colour
aluminium anodisé inox

65 oro opaco
matt gold
or mat

67 alluminio lucido
bright aluminium
aluminium poli

CRUX PLUS 17

Sistema a soffitto - Ceiling system - Système plafond



| A | H | COD |
|----|----|--------------|
| 54 | 28 | 559505 DX/SX |
| 72 | 36 | 559515 DX/SX |

$lt = L - 30 \text{ mm}$

COD. 559S05 ... DX/SX

con supporto - with bracket - avec support 559505

| F | L | 50 | 60 | 80 | 100 |
|-------|---|----|----|----|-----|
| 25-65 | | | | | |
| 67 | | | | | |

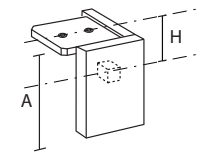
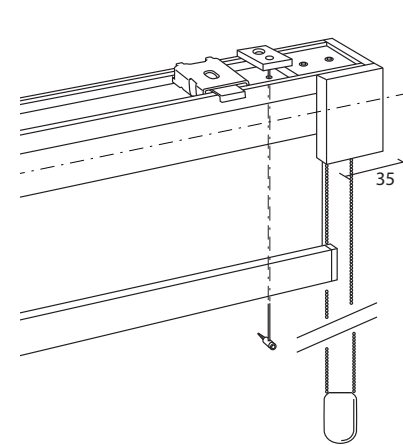
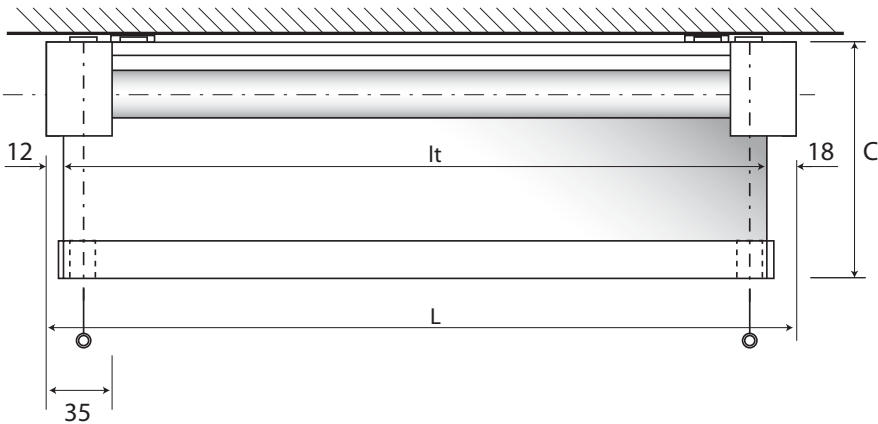
COD. 559S15 ... DX/SX

con supporto - with bracket - avec support 559515

| F | L | 50 | 60 | 80 | 100 |
|-------|---|----|----|----|-----|
| 25-65 | | | | | |
| 67 | | | | | |

- A** = sporgenza supporto
bracket's projection
retour support
- H** = distanza parete
wall distance
retour du mur
- L** = larghezza sistema (cm)
system width (cm)
largeur système (cm)
- Dx** = Destro - Right - Droit
- Sx** = Sinistro - Left - Gauche
- lt** = larghezza singolo tessuto
fabric width per unit
largeur chaque toile
- C** = altezza tessuto (cm)
fabric width (cm)
hauteur de la toile (cm)

Sistema a soffitto con guide nylon - Ceiling system with nylon guides - Système plafond avec guidage nylon



| A | H | COD |
|----|----|--------------|
| 54 | 28 | 559505 DX/SX |
| 72 | 36 | 559515 DX/SX |

COD. 559T05 ... DX/SX

con supporto - with bracket - avec support 559505

| F | L | 50 | 60 | 80 | 100 |
|-------|---|----|----|----|-----|
| 25-65 | | | | | |
| 67 | | | | | |

COD. 559T15 ... DX/SX

con supporto - with bracket - avec support 559515

| F | L | 50 | 60 | 80 | 100 |
|-------|---|----|----|----|-----|
| 25-65 | | | | | |
| 67 | | | | | |

$lt = L - 30 \text{ mm}$

F = FINITURE
F = FINISHES
F = FINITIONS

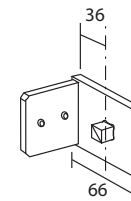
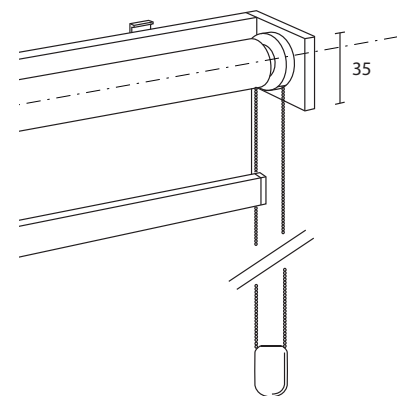
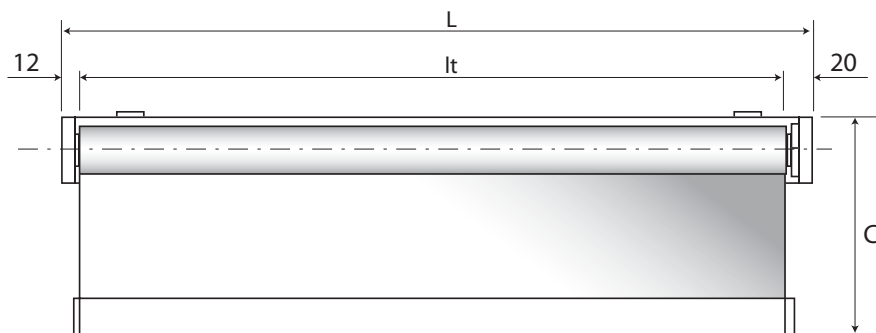
25 alluminio anodizzato inox
anodized aluminium steel colour
aluminium anodisé inox

65 oro opaco
matt gold
or mat

67 alluminio lucido
bright aluminium
aluminium poli

CRUX 25

Sistema a parete - Wall system - Système de face



$$It = L - 32 \text{ mm}$$

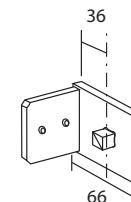
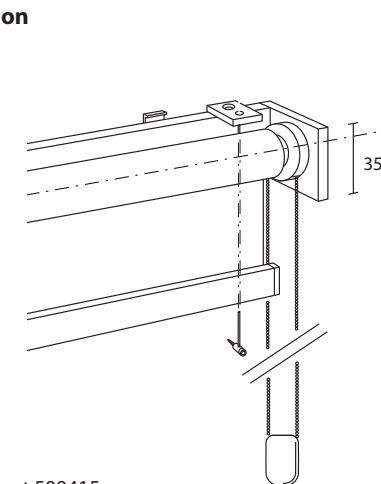
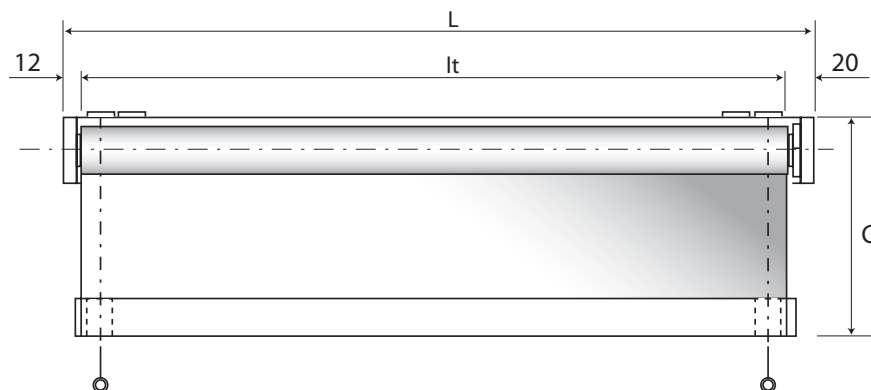
- L** = larghezza sistema (cm)
system width (cm)
largeur système (cm)
- Dx** = Destro - Right - Droit
- Sx** = Sinistro - Left - Gauche
- It** = larghezza singolo tessuto
fabric width per unit
largeur chaque toile
- C** = altezza tessuto (cm)
fabric width (cm)
hauteur de la toile (cm)

COD. 579A15... DX/SX

con supporto - with bracket - avec support 509415

| F \ L | 100 | 120 | 140 | 160 | 180 | 200 |
|-------|-----|-----|-----|-----|-----|-----|
| 25-65 | | | | | | |
| 67 | | | | | | |

Sistema a parete con guide nylon - Wall system with nylon guides - Système de face avec guidage nylon



$$It = L - 32 \text{ mm}$$

- L** = larghezza sistema (cm)
system width (cm)
largeur système (cm)
- Dx** = Destro - Right - Droit
- Sx** = Sinistro - Left - Gauche
- It** = larghezza singolo tessuto
fabric width per unit
largeur chaque toile
- C** = altezza tessuto (cm)
fabric width (cm)
hauteur de la toile (cm)

COD. 579G15... DX/SX

con supporto - with bracket - avec support 509415

| F \ L | 100 | 120 | 140 | 160 | 180 | 200 |
|-------|-----|-----|-----|-----|-----|-----|
| 25-65 | | | | | | |
| 67 | | | | | | |

F = FINITURE
F = FINISHES
F = FINITIONS

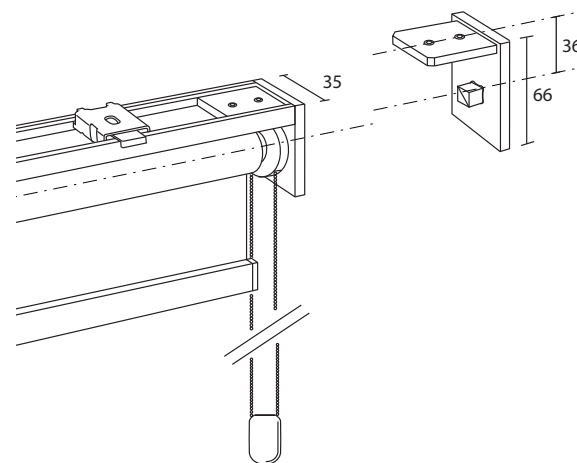
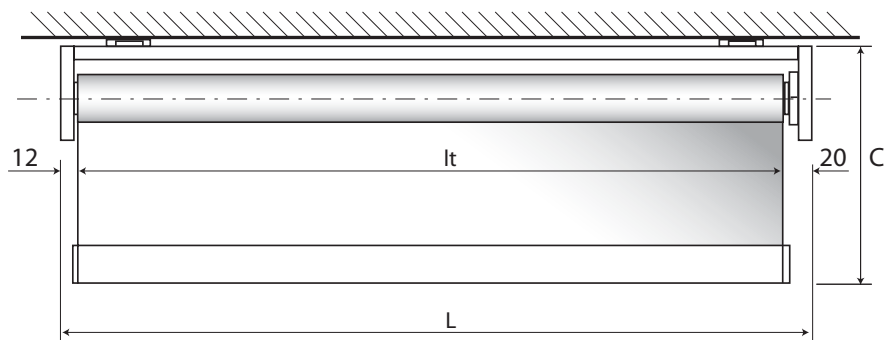
25 alluminio anodizzato inox
anodized aluminium steel colour
aluminium anodisé inox

65 oro opaco
matt gold
or mat

67 alluminio lucido
bright aluminium
aluminium poli

CRUX 25

Sistema a soffitto - Ceiling system - Système plafond



$$lt = L - 32 \text{ mm}$$

L = larghezza sistema (cm)
system width (cm)
largeur système (cm)

Dx = Destro - Right - Droit

Sx = Sinistro - Left - Gauche

lt = larghezza singolo tessuto
fabric width per unit
largeur chaque toile

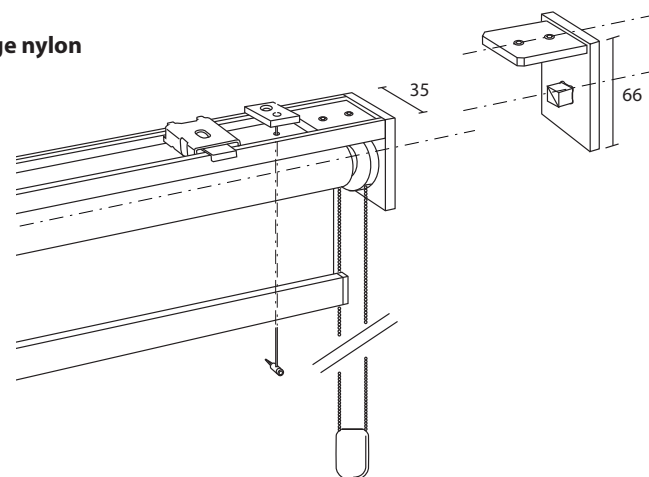
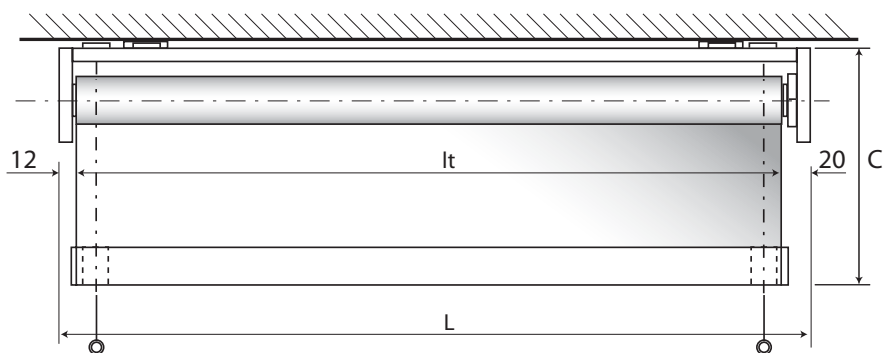
C = altezza tessuto (cm)
fabric width (cm)
hauteur de la toile (cm)

COD. 579S15... DX/SX

con supporto - with bracket - avec support 509515

| F | L | 100 | 120 | 140 | 160 | 180 | 200 |
|-------|---|-----|-----|-----|-----|-----|-----|
| 25-65 | | | | | | | |
| 67 | | | | | | | |

Sistema a soffitto con guide nylon - Ceiling system with nylon guides - Système plafond avec guidage nylon



$$lt = L - 32 \text{ mm}$$

L = larghezza sistema (cm)
system width (cm)
largeur système (cm)

Dx = Destro - Right - Droit

Sx = Sinistro - Left - Gauche

lt = larghezza singolo tessuto
fabric width per unit
largeur chaque toile

C = altezza tessuto (cm)
fabric width (cm)
hauteur de la toile (cm)

COD. 579T15... DX/SX

con supporto - with bracket - avec support 509515

| F | L | 100 | 120 | 140 | 160 | 180 | 200 |
|-------|---|-----|-----|-----|-----|-----|-----|
| 25-65 | | | | | | | |
| 67 | | | | | | | |

F = FINITURE
F = FINISHES
F = FINITIONS

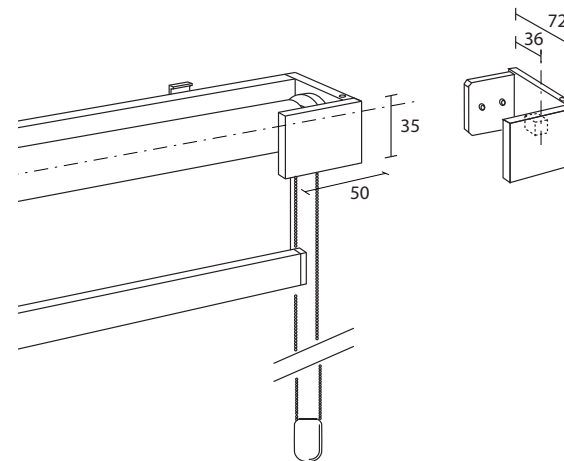
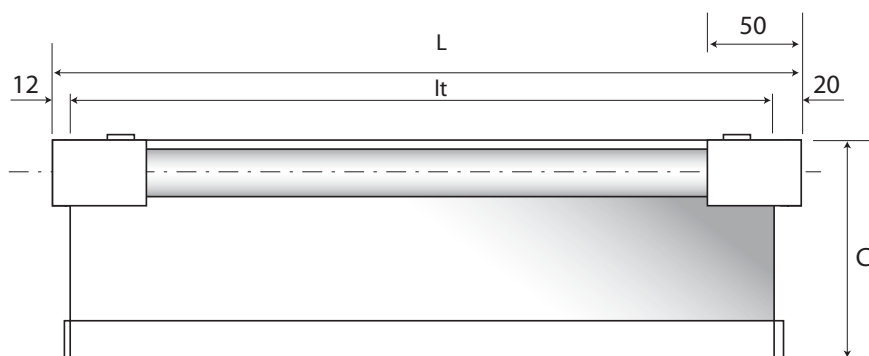
25 alluminio anodizzato inox
anodized aluminium steel colour
aluminium anodisé inox

65 oro opaco
matt gold
or mat

67 alluminio lucido
bright aluminium
aluminium poli

CRUX PLUS 25

Sistema a parete - Wall system - Système de face



$$It = L - 32 \text{ mm}$$

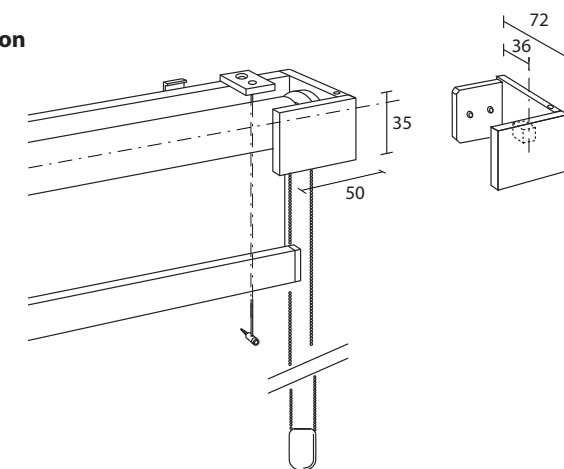
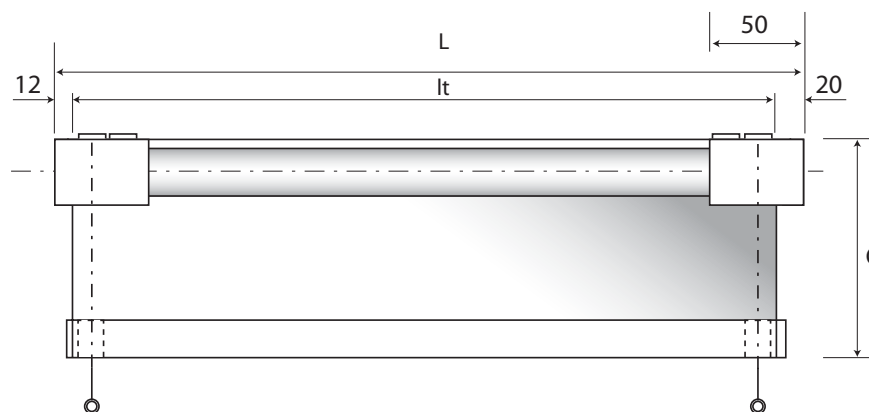
- L** = larghezza sistema (cm)
system width (cm)
largeur système (cm)
- Dx** = Destro - Right - Droit
- Sx** = Sinistro - Left - Gauche
- It** = larghezza singolo tessuto
fabric width per unit
largeur chaque toile
- C** = altezza tessuto (cm)
fabric width (cm)
hauteur de la toile (cm)

COD. 589A15 ... DX/SX

con supporto - with bracket - avec support 559415

| F \ L | 100 | 120 | 140 | 160 | 180 | 200 |
|-------|-----|-----|-----|-----|-----|-----|
| 25-65 | | | | | | |
| 67 | | | | | | |

Sistema a parete con guide nylon - Wall system with nylon guides - Système de face avec guidage nylon



$$It = L - 32 \text{ mm}$$

- L** = larghezza sistema (cm)
system width (cm)
largeur système (cm)
- Dx** = Destro - Right - Droit
- Sx** = Sinistro - Left - Gauche
- It** = larghezza singolo tessuto
fabric width per unit
largeur chaque toile
- C** = altezza tessuto (cm)
fabric width (cm)
hauteur de la toile (cm)

COD. 589G15 ... DX/SX

con supporto - with bracket - avec support 559415

| F \ L | 100 | 120 | 140 | 160 | 180 | 200 |
|-------|-----|-----|-----|-----|-----|-----|
| 25-65 | | | | | | |
| 67 | | | | | | |

F = FINITURE
F = FINISHES
F = FINITIONS

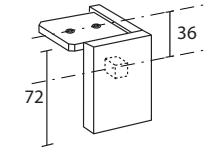
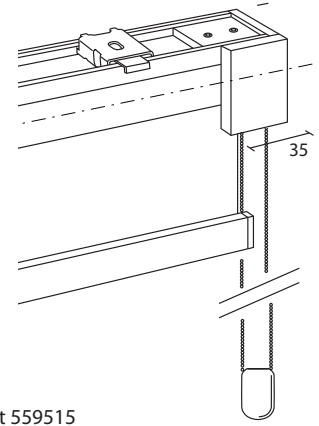
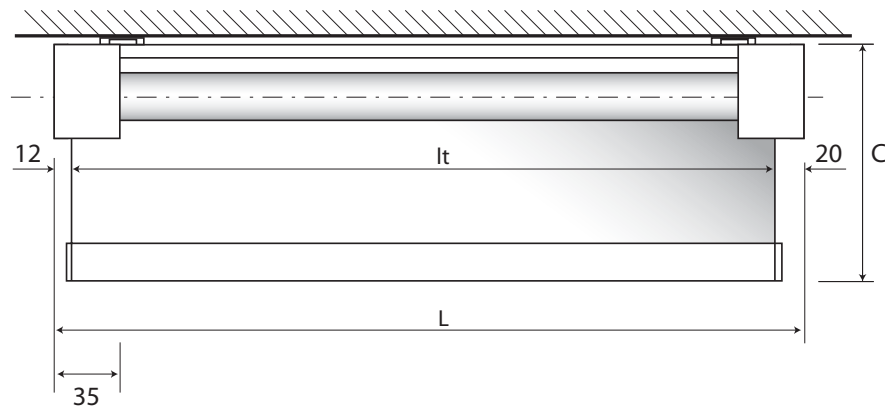
25 alluminio anodizzato inox
anodized aluminium steel colour
aluminium anodisé inox

65 oro opaco
matt gold
or mat

67 alluminio lucido
bright aluminium
aluminium poli

CRUX PLUS 25

Sistema a soffitto - Ceiling system - Système plafond



$$l_t = L - 32 \text{ mm}$$

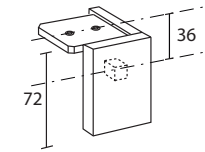
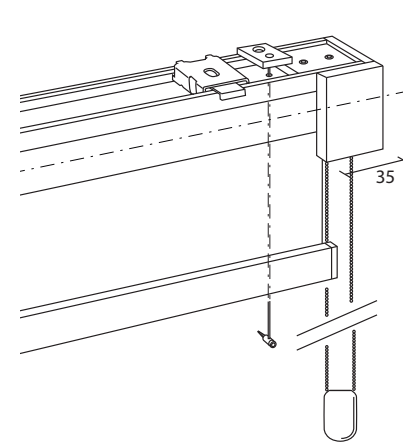
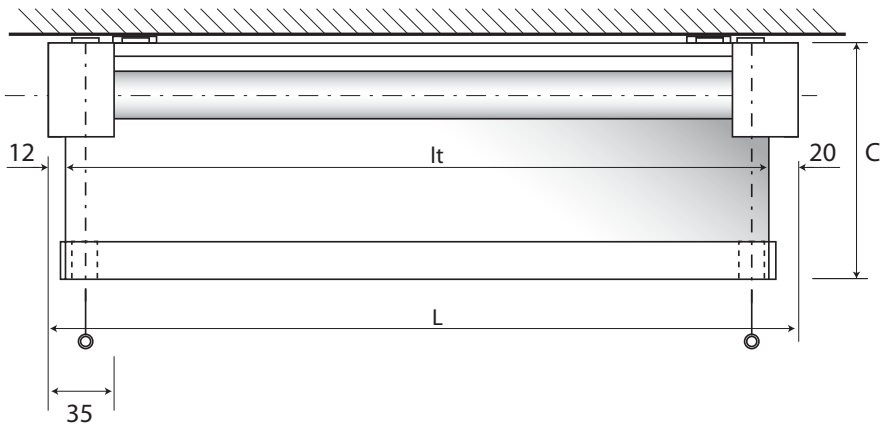
- L** = larghezza sistema (cm)
system width (cm)
largeur système (cm)
- Dx** = Destro - Right - Droit
- Sx** = Sinistro - Left - Gauche
- lt** = larghezza singolo tessuto
fabric width per unit
largeur chaque toile
- C** = altezza tessuto (cm)
fabric width (cm)
hauteur de la toile (cm)

COD. 589S15 ... DX/SX

con supporto - with bracket - avec support 559515

| F \ L | 100 | 120 | 140 | 160 | 180 | 200 |
|-------|-----|-----|-----|-----|-----|-----|
| 25-65 | | | | | | |
| 67 | | | | | | |

Sistema a soffitto con guide nylon - Ceiling system with nylon guides - Système plafond avec guidage nylon



$$l_t = L - 32 \text{ mm}$$

- L** = larghezza sistema (cm)
system width (cm)
largeur système (cm)
- Dx** = Destro - Right - Droit
- Sx** = Sinistro - Left - Gauche
- lt** = larghezza singolo tessuto
fabric width per unit
largeur chaque toile
- C** = altezza tessuto (cm)
fabric width (cm)
hauteur de la toile (cm)

COD. 589T15 ... DX/SX

con supporto - with bracket - avec support 559515

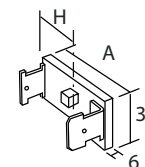
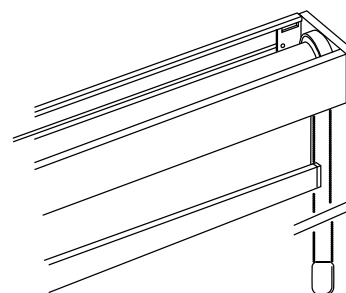
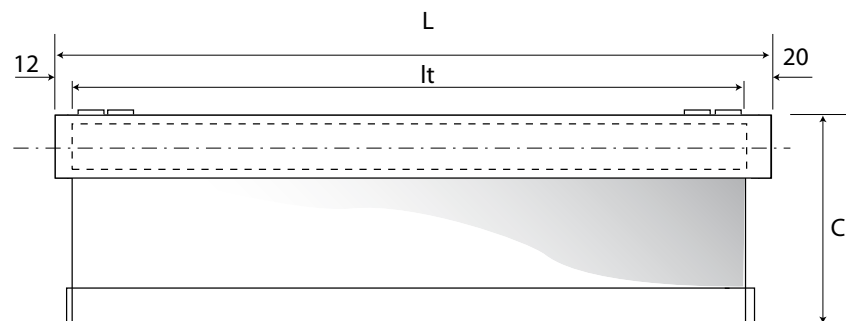
| F \ L | 100 | 120 | 140 | 160 | 180 | 200 |
|-------|-----|-----|-----|-----|-----|-----|
| 25-65 | | | | | | |
| 67 | | | | | | |

F = FINITURE 25 alluminio anodizzato inox
 F = FINISHES anodized aluminium steel colour
 F = FINITIONS aluminium anodisé inox

67 alluminio lucido
 bright aluminium
 aluminium poli

CRUX SPECIAL 25

Sistema a parete - Wall system - Système de face



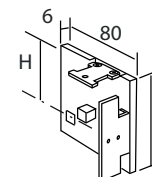
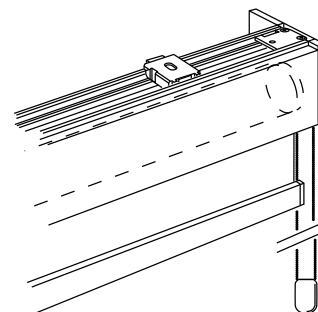
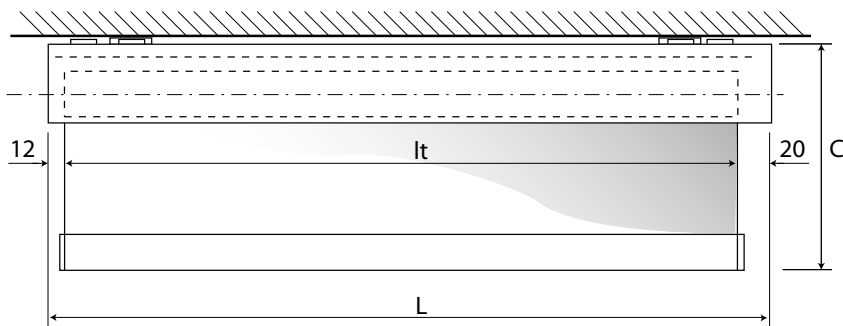
It = L - 32 mm

| A | H | COD |
|----|----|-------------|
| 62 | 28 | 593406DX/SX |
| 80 | 36 | 593416DX/SX |

COD. 593A15... DX/SX

| F \ L | 100 | 120 | 140 | 160 | 180 | 200 |
|-------|-----|-----|-----|-----|-----|-----|
| 25 | | | | | | |
| 67 | | | | | | |

Sistema a soffitto - Ceiling system - Système plafond



- A** = sporgenza supporto
bracket's projection
retour support
- H** = distanza parete
wall distance
retour du mur
- L** = larghezza sistema (cm)
system width (cm)
largeur système (cm)
- Dx** = Destro - Right - Droit
- Sx** = Sinistro - Left - Gauche
- It** = larghezza singolo tessuto
fabric width per unit
largeur chaque toile
- C** = altezza tessuto (cm)
fabric width (cm)
hauteur de la toile (cm)

COD. 593T15... DX/SX

| F \ L | 100 | 120 | 140 | 160 | 180 | 200 |
|-------|-----|-----|-----|-----|-----|-----|
| 25 | | | | | | |
| 67 | | | | | | |

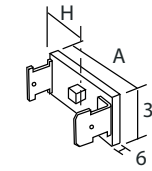
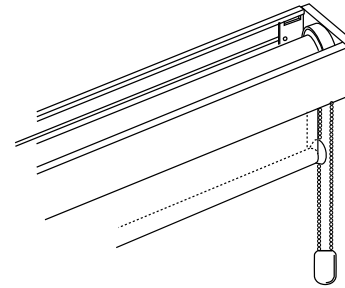
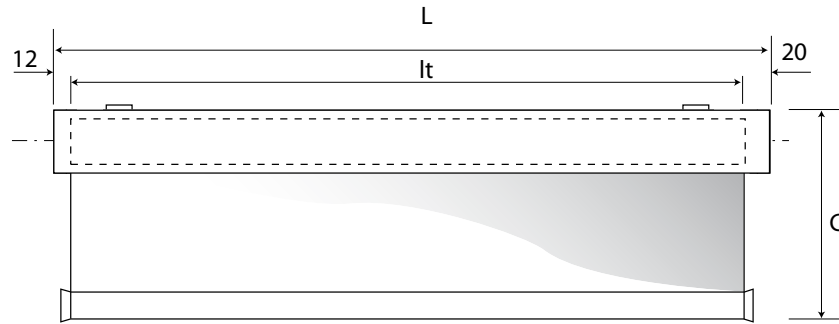
It = L - 32 mm

| A | H | COD |
|----|----|-------------|
| 54 | 28 | 593506DX/SX |
| 72 | 36 | 593516DX/SX |



CRUX SPECIAL 25 N&D

Sistema a parete - Wall system - Système de face



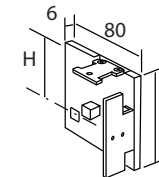
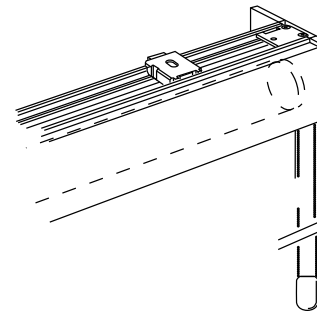
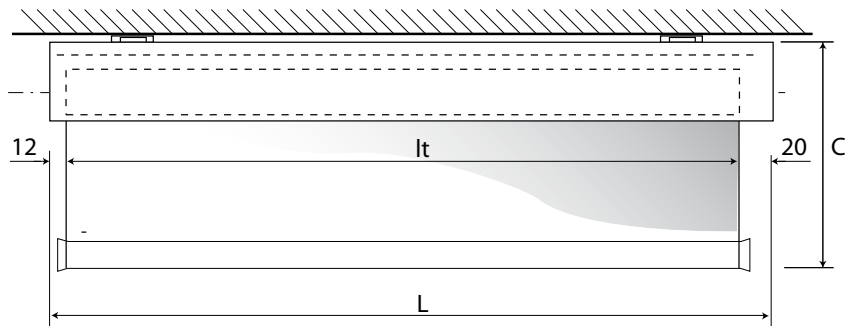
$lt = L - 32 \text{ mm}$

| A | H | COD |
|----|----|-------------|
| 80 | 36 | 593416DX/SX |

COD. 593P15... DX/SX

| F \ L | 100 | 120 | 140 | 160 | 180 | 200 |
|-------|-----|-----|-----|-----|-----|-----|
| 25 | | | | | | |
| 67 | | | | | | |

Sistema a soffitto - Ceiling system - Système plafond



- A** = sporgenza supporto
bracket's projection
retour support
- H** = distanza parete
wall distance
retour du mur
- L** = larghezza sistema (cm)
system width (cm)
largeur système (cm)
- Dx** = Destro - Right - Droit
- Sx** = Sinistro - Left - Gauche
- lt** = larghezza singolo tessuto
fabric width per unit
largeur chaque toile
- C** = altezza tessuto (cm)
fabric width (cm)
hauteur de la toile (cm)

COD. 593S15... DX/SX

| F \ L | 100 | 120 | 140 | 160 | 180 | 200 |
|-------|-----|-----|-----|-----|-----|-----|
| 25 | | | | | | |
| 67 | | | | | | |

$lt = L - 32 \text{ mm}$

| A | H | COD |
|----|----|-------------|
| 72 | 36 | 593516DX/SX |