

F = FINITURE
F = FINISHES
F = FINITIONS

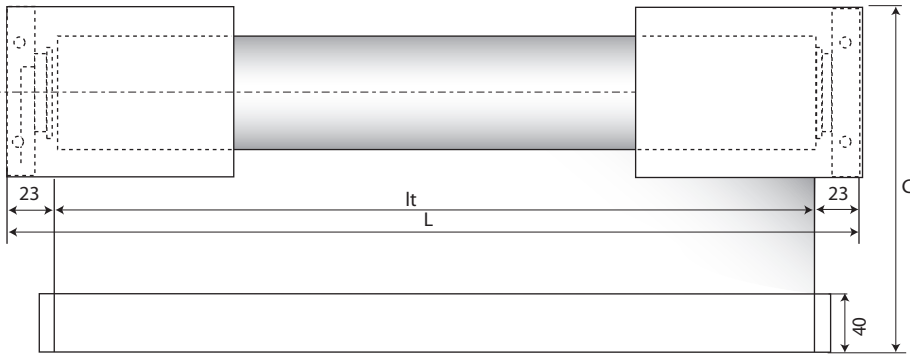
25 alluminio anodizzato inox
anodized aluminium steel colour
aluminium anodisé inox

65 oro opaco
matt gold
or mat

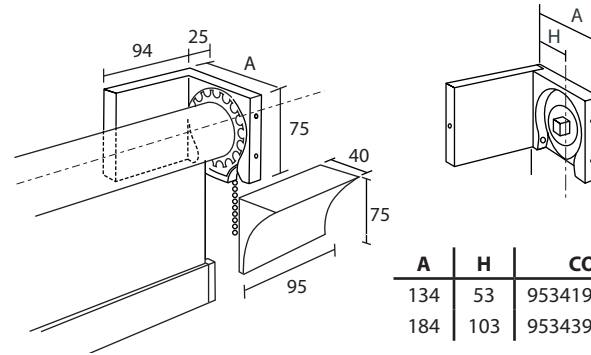
67 alluminio lucido
bright aluminium
aluminium poli



Sistema a parete - Wall system - Système de face



vista frontale - frontal view - vue de face



A	H	COD
134	53	953419 DX/SX
184	103	953439 DX/SX

$l_t = L - 46 \text{ mm}$

- A** = sporgenza supporto
bracket's projection
retour support
- H** = distanza parete
wall distance
retour du mur
- L** = larghezza sistema (cm)
system width (cm)
largeur système (cm)
- Dx** = Destro - Right - Droit
- Sx** = Sinistro - Left - Gauche
- lt** = larghezza singolo tessuto
fabric width per unit
largeur chaque toile
- C** = altezza tessuto (cm)
fabric width (cm)
hauteur de la toile (cm)

COD. 953A19...DX / SX

con supporto - with bracket - avec support 953419

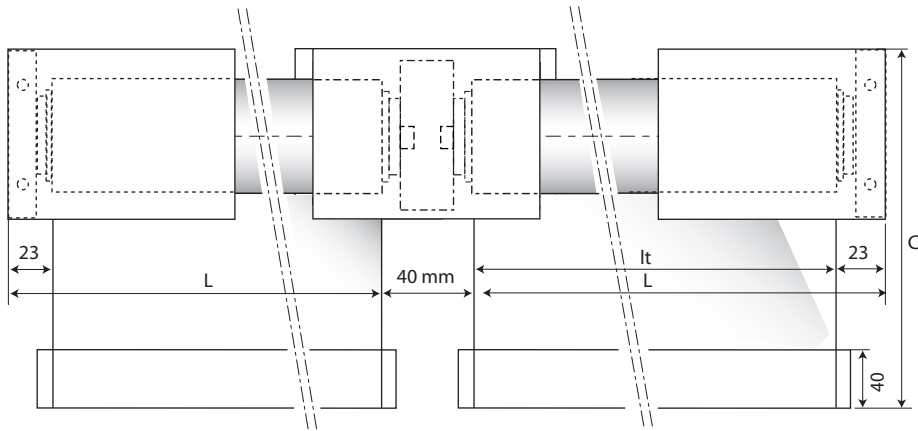
F \ L	80	100	120	140	160	180	200	220	240	260	280	300	
25													
65													
67													

COD. 953A39...DX / SX

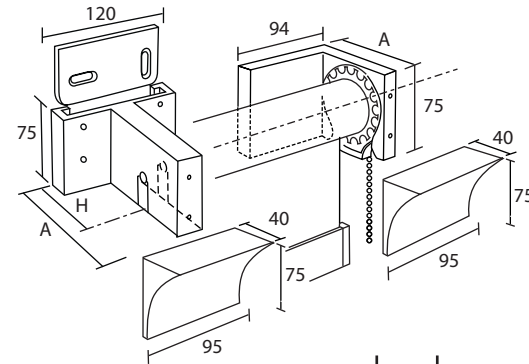
con supporto - with bracket - avec support 953439

F \ L	80	100	120	140	160	180	200	220	240	260	280	300	
25													
65													
67													

Sistema continuo a parete - Wall consecutive system - Système continu de face



vista frontale - frontal view - vue de face



$$lt = \frac{L - 86 \text{ mm}}{2}$$

- A** = sporgenza supporto
bracket's projection
retour support
- H** = distanza parete
wall distance
retour du mur
- L** = larghezza sistema (cm)
system width (cm)
largeur système (cm)
- lt** = larghezza singolo tessuto
fabric width per unit
largeur chaque toile
- C** = altezza tessuto (cm)
fabric width (cm)
hauteur de la toile (cm)

A	H	COD
134	53	953614 DX/SX
184	103	953664 DX/SX

COD. 953B14

con supporto - with bracket - avec support 953614

F \ L	200	240	280	320	360	400	440	480	520	560	600		
25													
65													
67													

COD. 953B64

con supporto - with bracket - avec support 953664

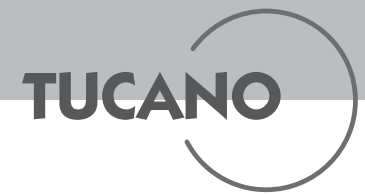
F \ L	200	240	280	320	360	400	440	480	520	560	600		
25													
65													
67													

F = FINITURE
F = FINISHES
F = FINITIONS

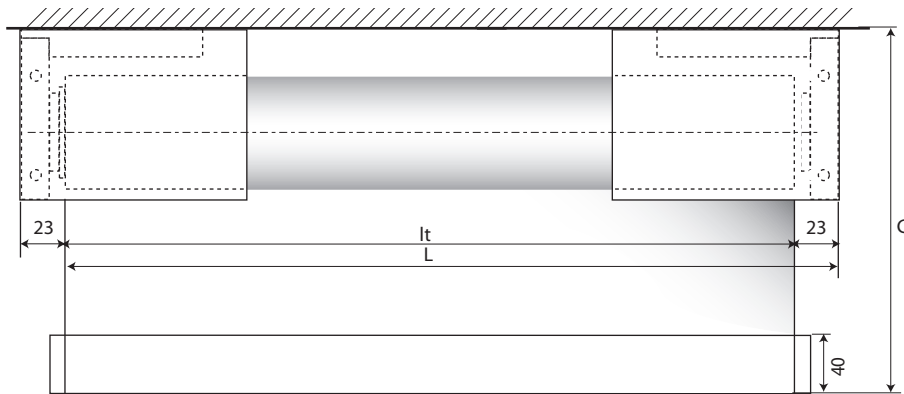
25 alluminio anodizzato inox
anodized aluminium steel colour
aluminium anodisé inox

65 oro opaco
matt gold
or mat

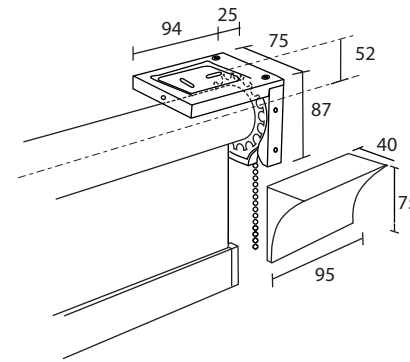
67 alluminio lucido
bright aluminium
aluminium poli



Sistema a soffitto - Ceiling system - Système plafond



vista frontale - frontal view - vue de face



lt = L - 46 mm

- L** = larghezza sistema (cm)
system width (cm)
largeur système (cm)
- lt** = larghezza singolo tessuto
fabric width per unit
largeur chaque toile
- C** = altezza tessuto (cm)
fabric width (cm)
hauteur de la toile (cm)

COD. 953T29...DX/SX

F \ L	80	100	120	140	160	180	200	220	240	260	280	300	
25													
65													
67													