

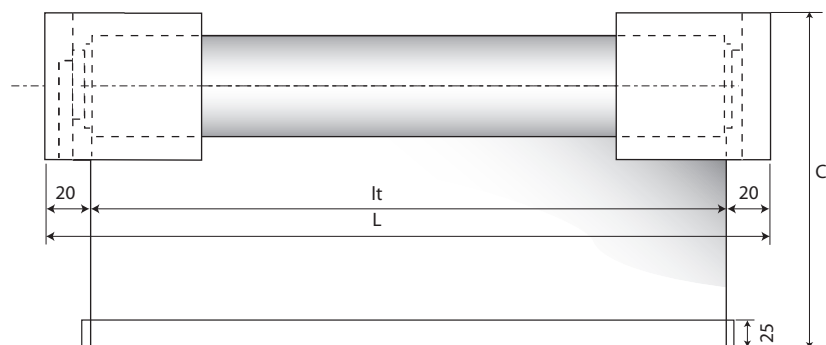
F = FINITURE
F = FINISHES
F = FINITIONS

25 alluminio anodizzato inox
anodized aluminium steel colour
aluminium anodisé inox

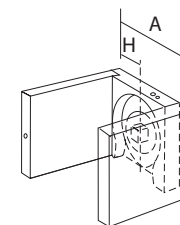
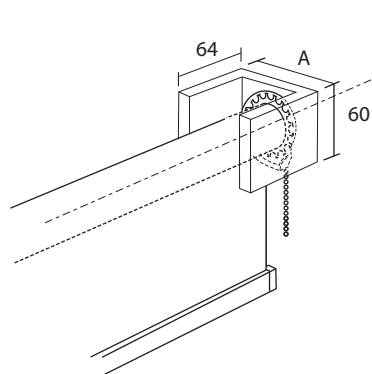
67 alluminio lucido
bright aluminium
aluminium poli

LEO 30

Sistema a parete - Wall system - Système de face



vista frontale - frontal view - vue de face



$It = L - 40 \text{ mm}$

A	H	COD
109	53	863419 DX/SX
159	103	863439 DX/SX

- A** = sporgenza supporto
bracket's projection
retour support
- H** = distanza parete
wall distance
retour du mur
- L** = larghezza sistema (cm)
system width (cm)
largeur système (cm)
- Dx** = Destro - Right - Droit
- Sx** = Sinistro - Left - Gauche
- It** = larghezza singolo tessuto
fabric width per unit
largeur chaque toile
- C** = altezza tessuto (cm)
fabric width (cm)
hauteur de la toile (cm)

COD. 863A19...DX / SX

con supporto - with bracket - avec support 863419

F \ L	80	100	120	140	160							
25												
67												

COD. 863A39...DX / SX

con supporto - with bracket - avec support 863439

F \ L	80	100	120	140	160							
25												
67												

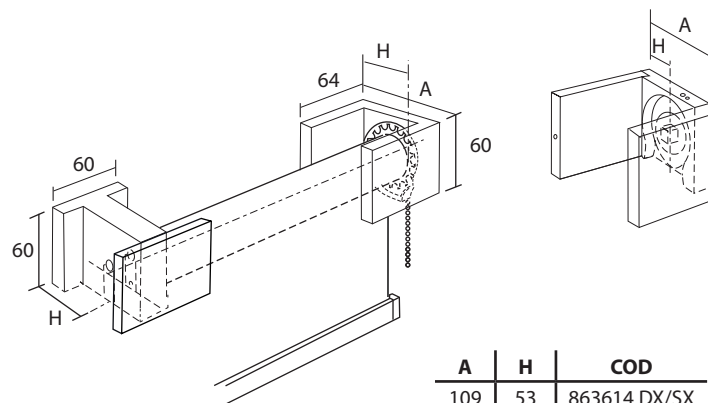
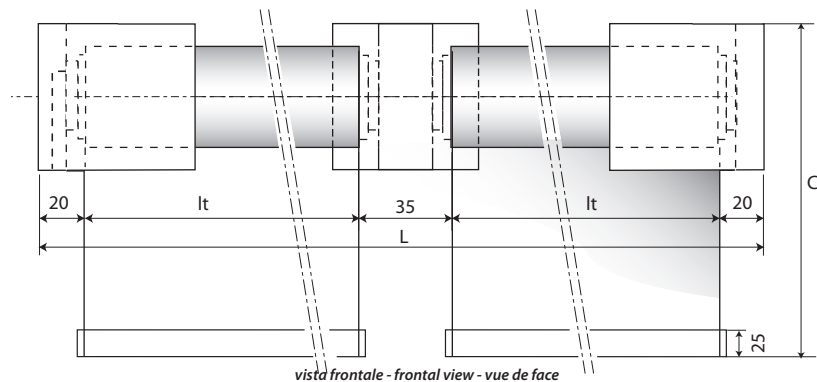
F = FINITURE
F = FINISHES
F = FINITIONS

25 alluminio anodizzato inox
anodized aluminium steel colour
aluminium anodisé inox

67 alluminio lucido
bright aluminium
aluminium poli

LEO 30

Sistema continuo a parete - Wall consecutive system - Système continu de face



$$lt = \frac{L - 75 \text{ mm}}{2}$$

- L = larghezza sistema (cm)
system width (cm)
largeur système (cm)
- lt = larghezza singolo tessuto
fabric width per unit
largeur chaque toile
- C = altezza tessuto (cm)
fabric width (cm)
hauteur de la toile (cm)

COD. 863B14...DX / SX

con supporto - with bracket - avec support 863614

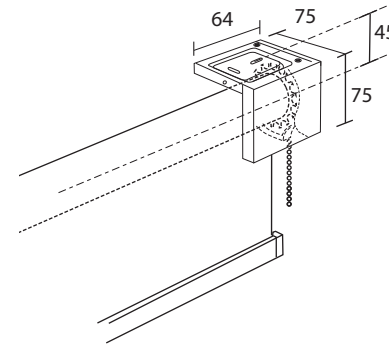
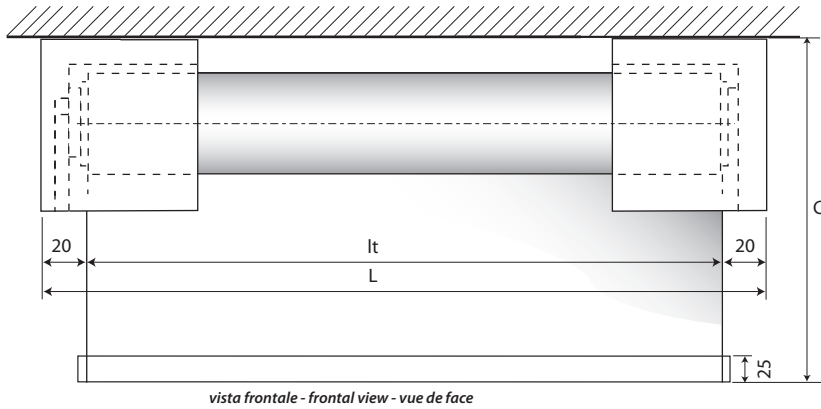
F \ L	160	200	240	280	320						
25											
67											

COD. 863B64...DX / SX

con supporto - with bracket - avec support 863664

F \ L	160	200	240	280	320						
25											
67											

Sistema a soffitto - Ceiling system - Système plafond



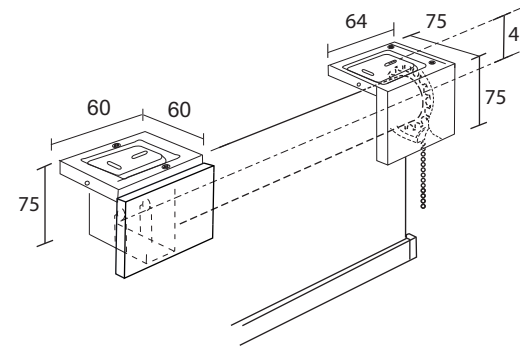
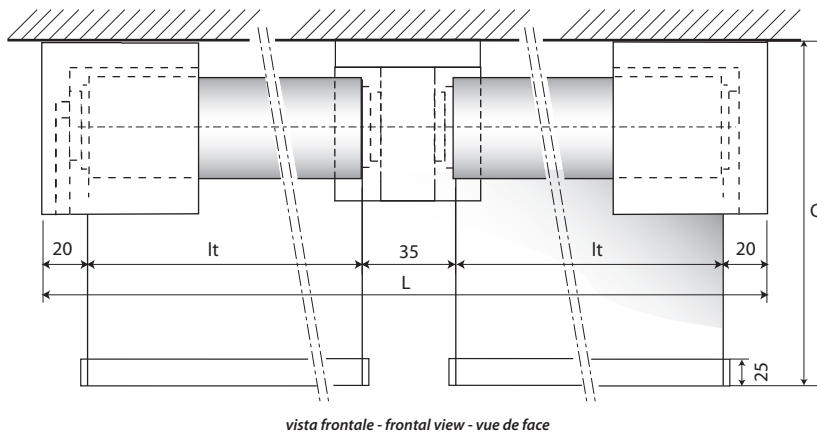
$$lt = L - 40 \text{ mm}$$

- L** = larghezza sistema (cm)
system width (cm)
largeur système (cm)
- Dx** = Destro - Right - Droit
- Sx** = Sinistro - Left - Gauche
- lt** = larghezza singolo tessuto
fabric width per unit
largeur chaque toile
- C** = altezza tessuto (cm)
fabric width (cm)
hauteur de la toile (cm)

COD. 863T29...DX / SX

F \ L	80	100	120	140	160								
25													
67													

Sistema continuo a soffitto - Ceiling consecutive system - Système continu plafond



$$lt = \frac{L - 75 \text{ mm}}{2}$$

- L** = larghezza sistema (cm)
system width (cm)
largeur système (cm)
- lt** = larghezza singolo tessuto
fabric width per unit
largeur chaque toile
- C** = altezza tessuto (cm)
fabric width (cm)
hauteur de la toile (cm)

COD. 863W24

F \ L	80	200	240	280	320								
25													
67													

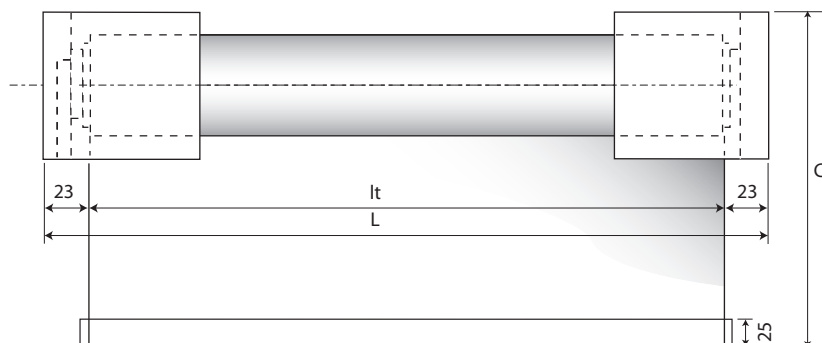
F = FINITURE
F = FINISHES
F = FINITIONS

25 alluminio anodizzato inox
anodized aluminium steel colour
aluminium anodisé inox

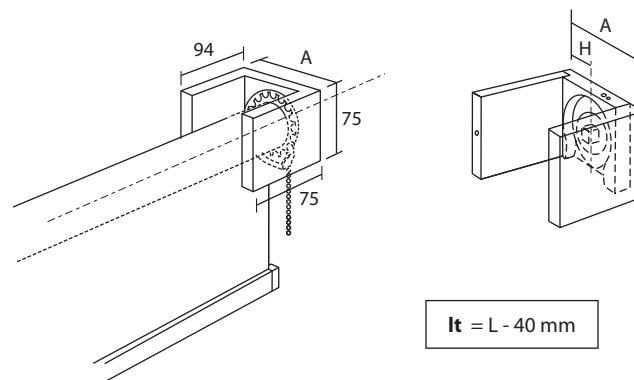
67 alluminio lucido
bright aluminium
aluminium poli

LEO 50

Sistema a parete - Wall system - Système de face



vista frontale - frontal view - vue de face



A	H	COD
109	53	873419 DX/SX
159	103	873439 DX/SX

- A** = sporgenza supporto
bracket's projection
retour support
- H** = distanza parete
wall distance
retour du mur
- L** = larghezza sistema (cm)
system width (cm)
largeur système (cm)
- Dx** = Destro - Right - Droit
- Sx** = Sinistro - Left - Gauche
- lt** = larghezza singolo tessuto
fabric width per unit
largeur chaque toile
- C** = altezza tessuto (cm)
fabric width (cm)
hauteur de la toile (cm)

COD. 873A19...DX / SX

con supporto - with bracket - avec support 873419

F \ L	80	100	120	140	160	180	200	220	240	260	280	300
25												
67												

COD. 873A39...DX / SX

con supporto - with bracket - avec support 873439

F \ L	80	100	120	140	160	180	200	220	240	260	280	300
25												
67												

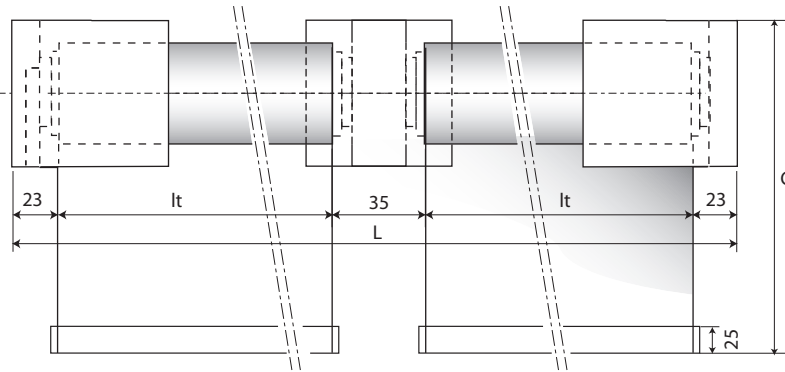
F = FINITURE
F = FINISHES
F = FINITIONS

25 alluminio anodizzato inox
anodized aluminium steel colour
aluminium anodisé inox

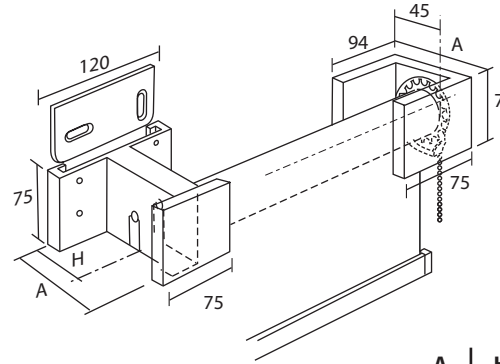
67 alluminio lucido
bright aluminium
aluminium poli

LEO 50

Sistema continuo a parete - Wall consecutive system - Système continu de face



vista frontale - frontal view - vue de face



$$lt = \frac{L - 75 \text{ mm}}{2}$$

- L** = larghezza sistema (cm)
system width (cm)
largeur système (cm)
- lt** = larghezza singolo tessuto
fabric width per unit
largeur chaque toile
- C** = altezza tessuto (cm)
fabric width (cm)
hauteur de la toile (cm)

A	H	COD
109	53	873614 DX/SX
159	103	873664 DX/SX

COD. 873B14...DX / SX

con supporto - with bracket - avec support 873614

F \ L	200	240	280	320	360	400	440	480	520	560	600
25											
67											

COD. 873B64...DX / SX

con supporto - with bracket - avec support 873664

F \ L	200	240	280	320	360	400	440	480	520	560	600
25											
67											

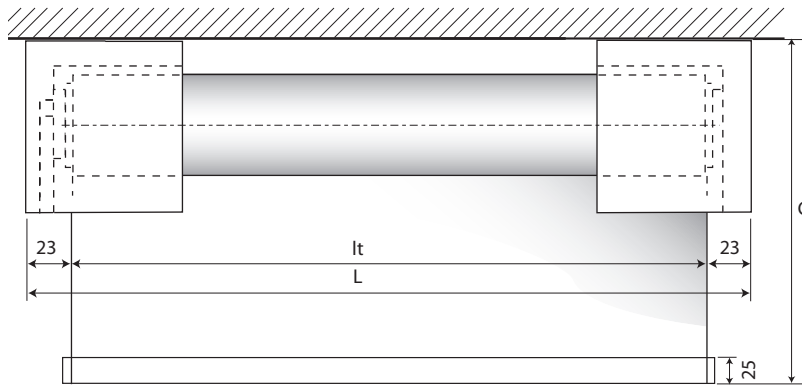
F = FINITURE
F = FINISHES
F = FINITIONS

25 alluminio anodizzato inox
anodized aluminium steel colour
aluminium anodisé inox

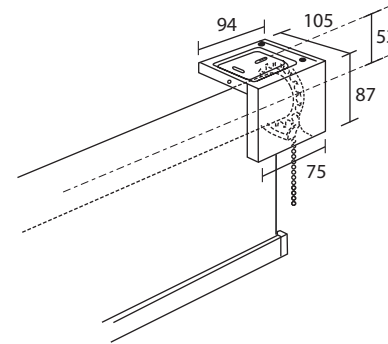
67 alluminio lucido
bright aluminium
aluminium poli

LEO 50

Sistema a soffitto - Ceiling system - Système plafond



vista frontale - frontal view - vue de face



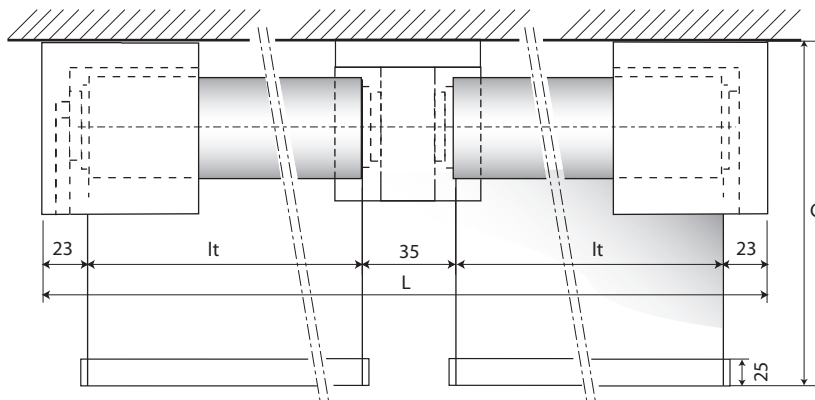
$$lt = L - 40 \text{ mm}$$

- L** = larghezza sistema (cm)
system width (cm)
largeur système (cm)
- Dx** = Destro - Right - Droit
- Sx** = Sinistro - Left - Gauche
- lt** = larghezza singolo tessuto
fabric width per unit
largeur chaque toile
- C** = altezza tessuto (cm)
fabric width (cm)
hauteur de la toile (cm)

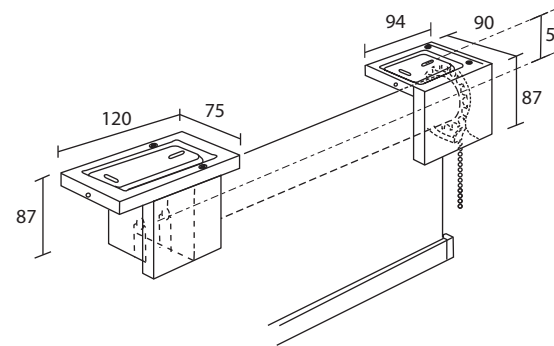
COD. 873T29...DX / SX

F \ L	80	100	120	140	160	180	200	220	240	260	280	300	
25													
67													

Sistema continuo a soffitto - Ceiling consecutive system - Système continu plafond



vista frontale - frontal view - vue de face



$$lt = \frac{L - 75 \text{ mm}}{2}$$

- L** = larghezza sistema (cm)
system width (cm)
largeur système (cm)
- lt** = larghezza singolo tessuto
fabric width per unit
largeur chaque toile
- C** = altezza tessuto (cm)
fabric width (cm)
hauteur de la toile (cm)

COD. 873W24

F \ L	200	240	280	320	360	400	440	480	520	560	600	
25												
67												

