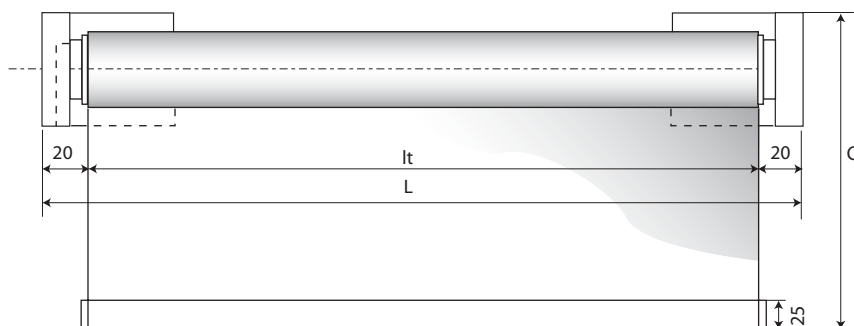


F = FINITURE 25 alluminio anodizzato inox
 F = FINISHES anodized aluminium steel colour
 F = FINITIONS aluminium anodisé inox

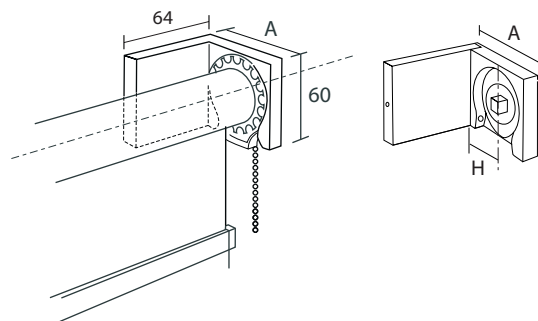
67 alluminio lucido
 bright aluminium
 aluminium poli

VEGA 30

Sistema a parete - Wall system - Système de face



vista frontale - frontal view - vue de face



$$lt = L - 40 \text{ mm}$$

A	H	COD
75	45	803419 DX/SX
125	95	803439 DX/SX

- A** = sporgenza supporto
bracket's projection
retour support
- H** = distanza parete
wall distance
retour du mur
- L** = larghezza sistema (cm)
system width (cm)
largeur système (cm)
- Dx** = Destro - Right - Droit
- Sx** = Sinistro - Left - Gauche
- lt** = larghezza singolo tessuto
fabric width per unit
largeur chaque toile
- C** = altezza tessuto (cm)
fabric width (cm)
hauteur de la toile (cm)

COD. 803A19...DX / SX

con supporto - with bracket - avec support 803419

F \ L	80	100	120	140	160								
25													
67													

COD. 803A39...DX / SX

con supporto - with bracket - avec support 803439

F \ L	80	100	120	140	160								
25													
67													

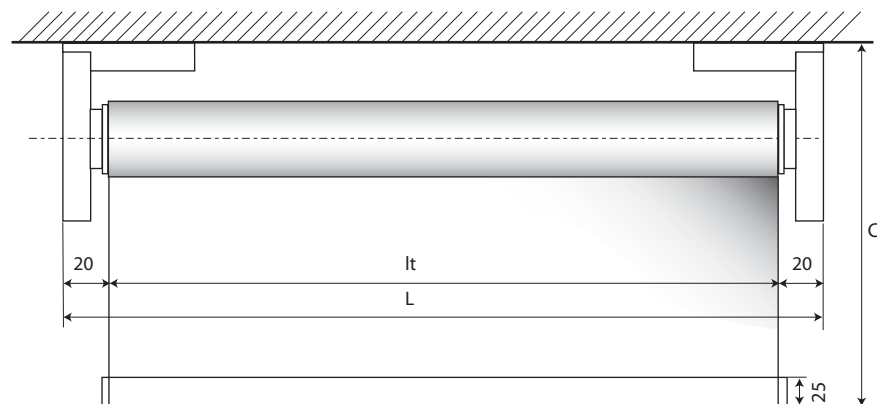
F = FINITURE
F = FINISHES
F = FINITIONS

25 alluminio anodizzato inox
anodized aluminium steel colour
aluminium anodisé inox

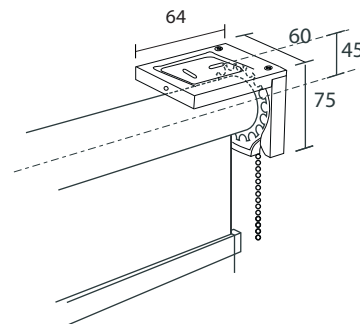
67 alluminio lucido
bright aluminium
aluminium poli

VEGA 30

Sistema a soffitto - Ceiling system - Système plafond



vista frontale - frontal view - vue de face



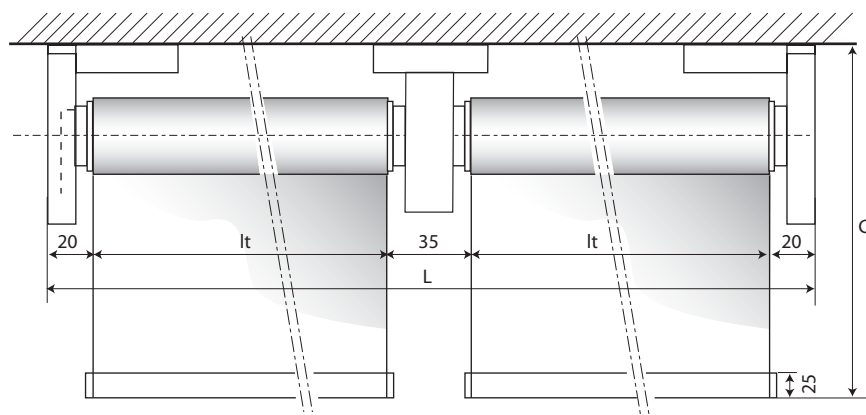
$$lt = L - 40 \text{ mm}$$

- L** = larghezza sistema (cm)
system width (cm)
largeur système (cm)
- lt** = larghezza singolo tessuto
fabric width per unit
largeur chaque toile
- C** = altezza tessuto (cm)
fabric width (cm)
hauteur de la toile (cm)

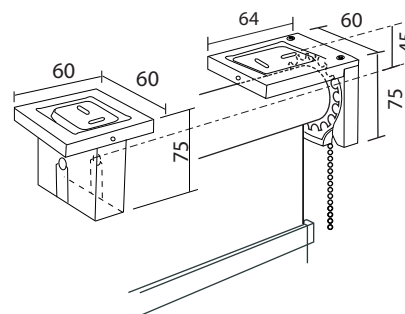
COD. 803T29...DX/SX

F \ L	80	100	120	140	160								
25													
67													

Sistema continuo a soffitto - Ceiling consecutive system - Système continu plafond



vista frontale - frontal view - vue de face



$$lt = \frac{L - 75 \text{ mm}}{2}$$

- L** = larghezza sistema (cm)
system width (cm)
largeur système (cm)
- lt** = larghezza singolo tessuto
fabric width per unit
largeur chaque toile
- C** = altezza tessuto (cm)
fabric width (cm)
hauteur de la toile (cm)

COD. 803W24

F \ L	160	200	240	280	320								
25													
67													



F = FINITURE
F = FINISHES
F = FINITIONS

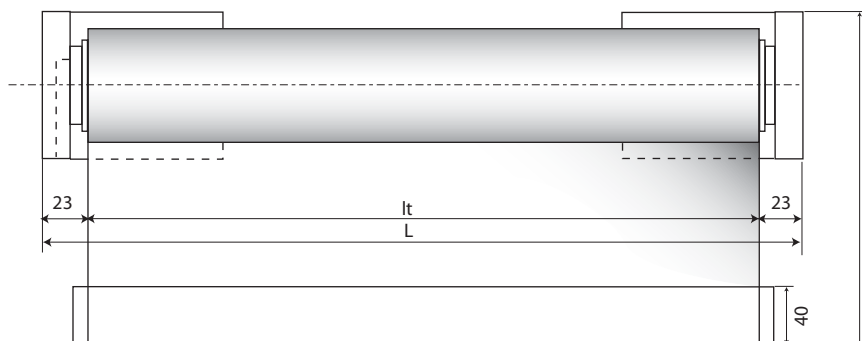
25 alluminio anodizzato inox
anodized aluminium steel colour
aluminium anodisé inox

65 oro opaco
matt gold
or mat

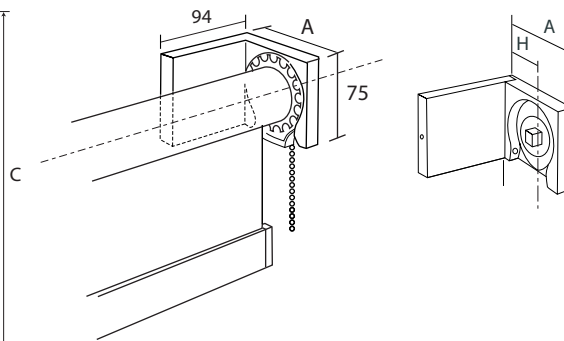
67 alluminio lucido
bright aluminium
aluminium poli

VEGA 50

Sistema a parete - Wall system - Système de face



vista frontale - frontal view - vue de face



A	H	COD
94	53	903419 DX/SX
144	103	903439 DX/SX
192	151	903449 DX/SX
242	201	903479 DX/SX

lt = L - 46 mm

- A** = sporgenza supporto
bracket's projection
retour support
- H** = distanza parete
wall distance
retour du mur
- L** = larghezza sistema (cm)
system width (cm)
largeur système (cm)
- Dx** = Destro - Right - Droit
- Sx** = Sinistro - Left - Gauche
- lt** = larghezza singolo tessuto
fabric width per unit
largeur chaque toile
- C** = altezza tessuto (cm)
fabric width (cm)
hauteur de la toile (cm)

COD. 903A19...DX / SX

con supporto - with bracket - avec support 903419

F \ L	80	100	120	140	160	180	200	220	240	260	280	300
25												
65												
67												

COD. 903A39...DX / SX

con supporto - with bracket - avec support 903439

F \ L	80	100	120	140	160	180	200	220	240	260	280	300
25												
65												
67												

COD. 903A49...DX / SX

con supporto - with bracket - avec support 903449

F \ L	80	100	120	140	160	180	200	220	240	260	280	300
25												
65												
67												

COD. 903A79...DX / SX

con supporto - with bracket - avec support 903479

F \ L	80	100	120	140	160	180	200	220	240	260	280	300
25												
65												
67												



F = FINITURE
F = FINISHES
F = FINITIONS

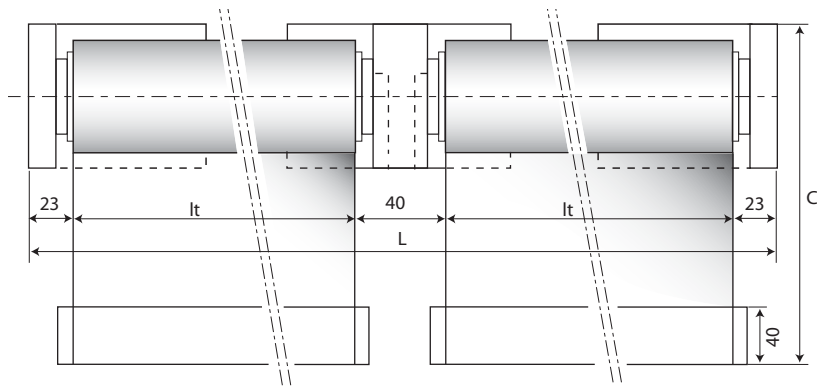
25 alluminio anodizzato inox
anodized aluminium steel colour
aluminium anodisé inox

65 oro opaco
matt gold
or mat

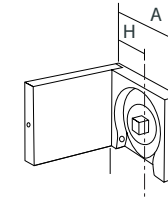
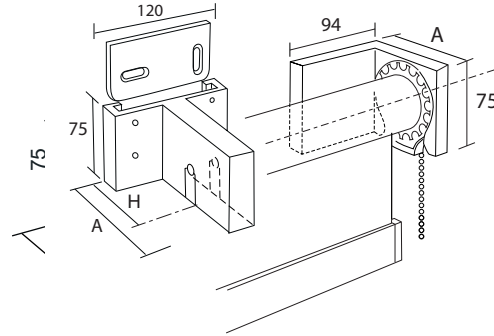
67 alluminio lucido
bright aluminium
aluminium poli

VEGA 50

Sistema continuo a parete - Wall consecutive system - Système continu de face



vista frontale - frontal view - vue de face



A	H	COD
94	53	903614
144	103	903664

$$lt = \frac{L - 86 \text{ mm}}{2}$$

- A** = sporgenza supporto
bracket's projection
retour support
- H** = distanza parete
wall distance
retour du mur
- L** = larghezza sistema (cm)
system width (cm)
largeur système (cm)
- lt** = larghezza singolo tessuto
fabric width per unit
largeur chaque toile
- C** = altezza tessuto (cm)
fabric width (cm)
hauteur de la toile (cm)

COD. 903B14

con supporto - with bracket - avec support 903614

F \ L	200	240	280	320	360	400	440	480	520	560	600		
25													
65													
67													

COD. 903B64

con supporto - with bracket - avec support 903664

F \ L	200	240	280	320	360	400	440	480	520	560	600		
25													
65													
67													

F = FINITURE
F = FINISHES
F = FINITIONS

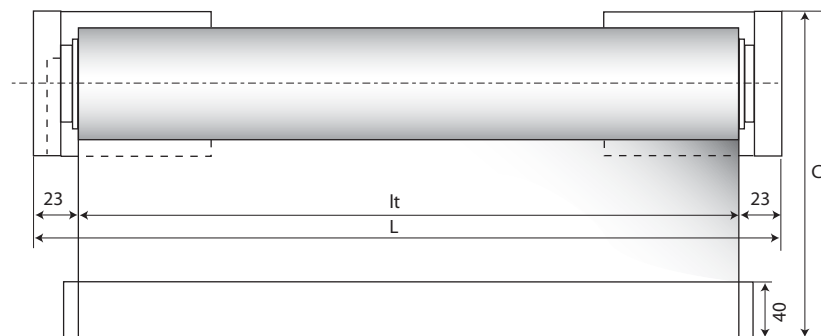
25 alluminio anodizzato inox
anodized aluminium steel colour
aluminium anodisé inox

65 oro opaco
matt gold
or mat

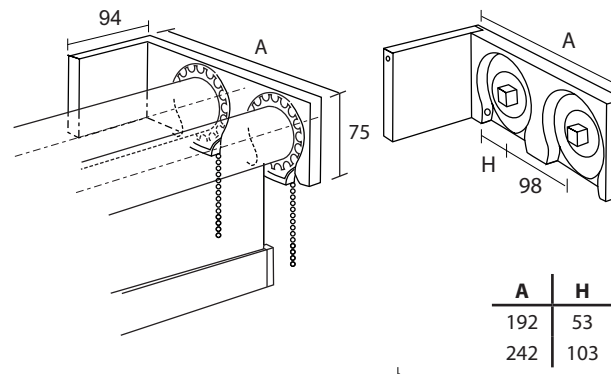
67 alluminio lucido
bright aluminium
aluminium poli

VEGA 50

Sistema doppio a parete - Wall double system - Système double de face



vista frontale - frontal view - vue de face



A	H	COD
192	53	903459 Dx/Sx
242	103	903499 Dx/Sx

$lt = L - 46 \text{ mm}$

- A** = sporgenza supporto
bracket's projection
retour support
- H** = distanza parete
wall distance
retour du mur
- L** = larghezza sistema (cm)
system width (cm)
largeur système (cm)
- Dx** = Destro - Right - Droit
- Sx** = Sinistro - Left - Gauche
- lt** = larghezza singolo tessuto
fabric width per unit
largeur chaque toile
- C** = altezza tessuto (cm)
fabric width (cm)
hauteur de la toile (cm)

COD. 903C59...DX/SX

con supporto - with bracket - avec support 903459

F \ L	80	100	120	140	160	180	200	220	240	260	280	300
25												
65												
67												

COD. 903C99...DX/SX

con supporto - with bracket - avec support 903499

F \ L	80	100	120	140	160	180	200	220	240	260	280	300
25												
65												
67												



F = FINITURE
F = FINISHES
F = FINITIONS

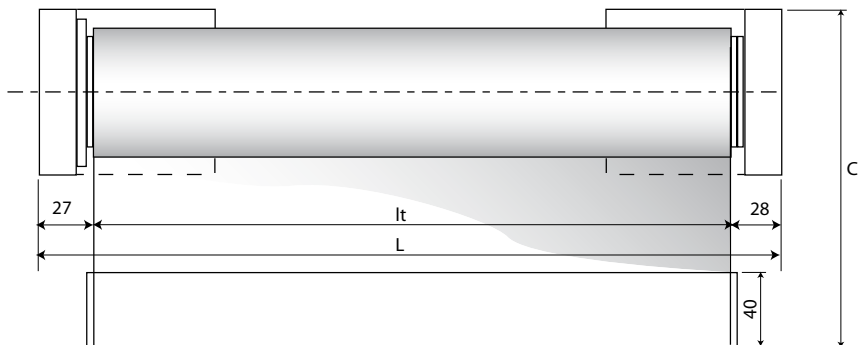
25 alluminio anodizzato inox
anodized aluminium steel colour
aluminium anodisé inox

312 bianco opaco
mat white
blanc mat

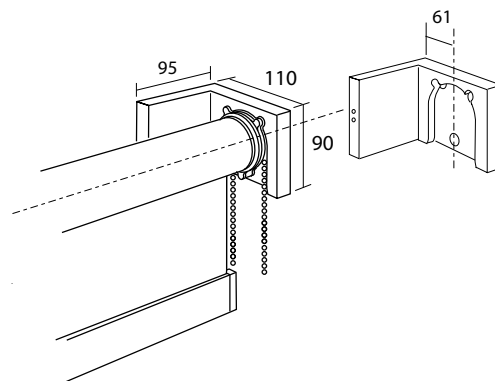
67 alluminio lucido
bright aluminium
aluminium poli

VEGA 60

Sistema a parete - Wall system - Système de face



Sistema demoltiplicato - Geared-down clutch - Friction démultipliée



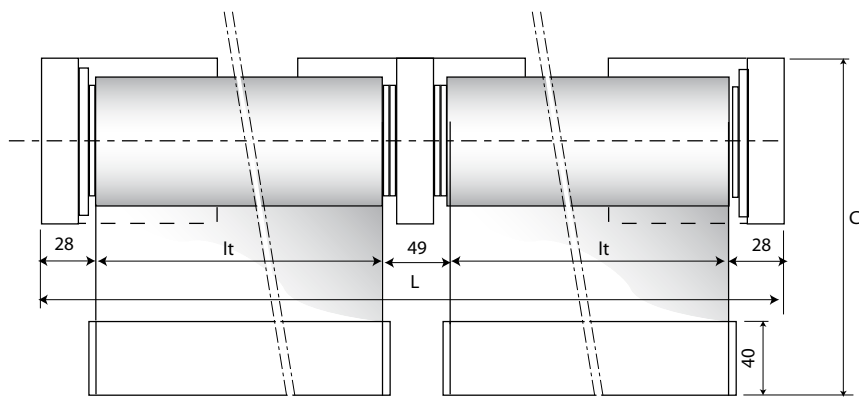
- L** = larghezza sistema (cm)
system width (cm)
largeur système (cm)
- lt** = larghezza singolo tessuto
fabric width per unit
largeur chaque toile
- C** = altezza tessuto (cm)
fabric width (cm)
hauteur de la toile (cm)

$$lt = L - 55 \text{ mm}$$

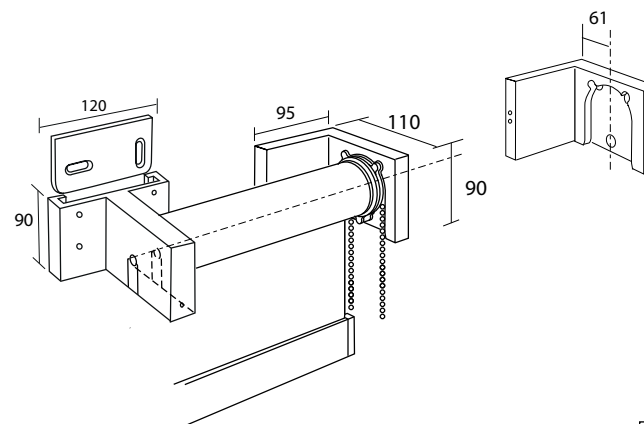
COD. 693A19 ...DX / SX

F \ L	240	260	280	300	320	340	360	380				
25 - 312												
67												

Sistema continuo a parete - Wall consecutive system - Système continu de face



vista frontale - frontal view - vue de face



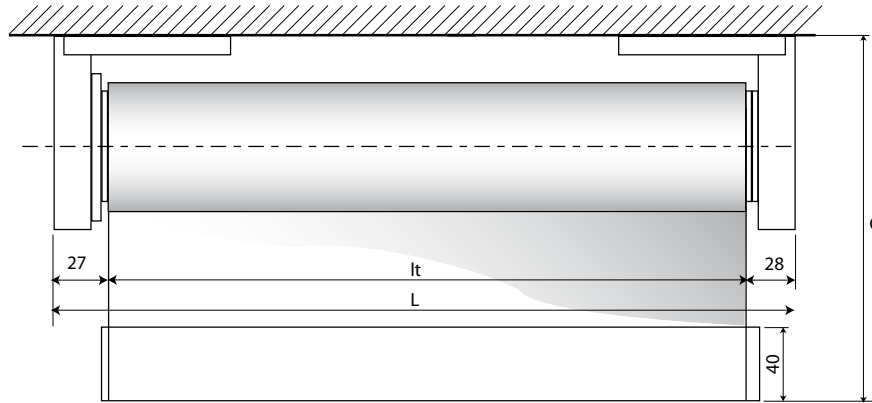
- L** = larghezza sistema (cm)
system width (cm)
largeur système (cm)
- lt** = larghezza singolo tessuto
fabric width per unit
largeur chaque toile
- C** = altezza tessuto (cm)
fabric width (cm)
hauteur de la toile (cm)

$$lt = \frac{L - 105 \text{ mm}}{2}$$

COD. 693B14 ...DX / SX

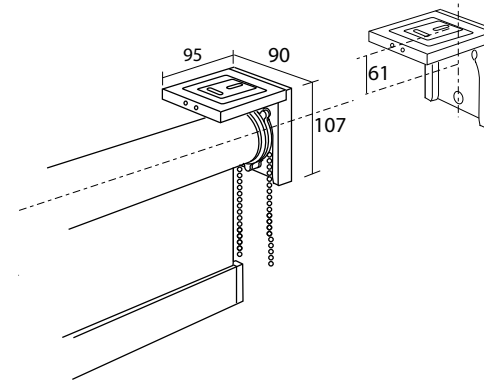
F \ L	400	440	480	520	560	600						
25 - 312												
67												

Sistema a soffitto - Ceiling system - Système plafond



vista frontale - frontal view - vue de face

Sistema demoltiplicato - Geared-down clutch - Friction démultipliée



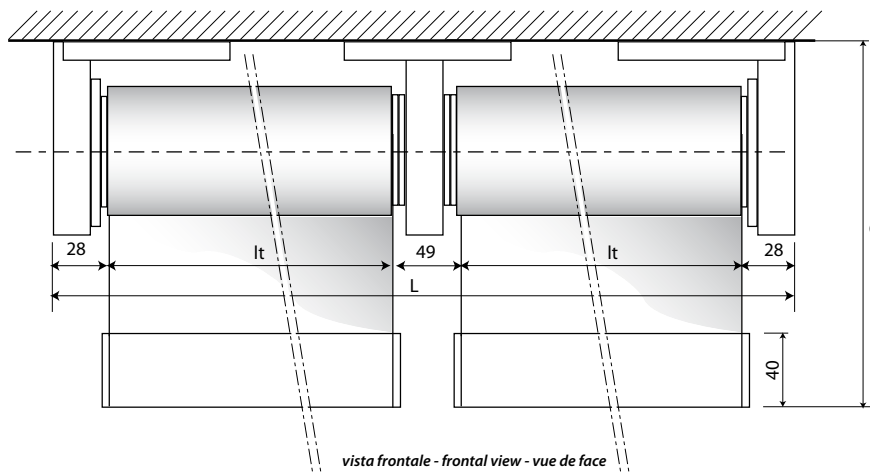
- L** = larghezza sistema (cm)
system width (cm)
largeur système (cm)
- lt** = larghezza singolo tessuto
fabric width per unit
largeur chaque toile
- C** = altezza tessuto (cm)
fabric width (cm)
hauteur de la toile (cm)

$$It = L - 55 \text{ mm}$$

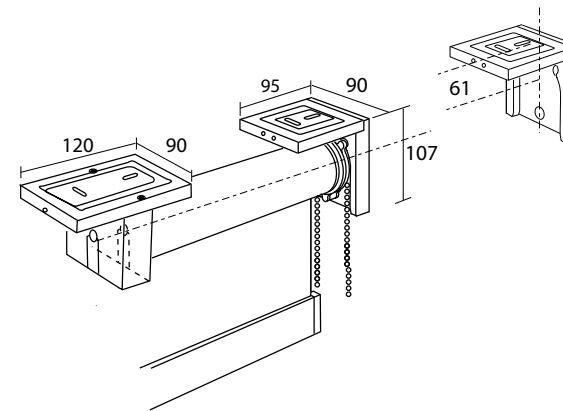
COD. 693T19 ...DX / SX

F	L	240	260	280	300	320	340	360	380				
25 - 312													
67													

Sistema continuo a soffitto - Ceiling consecutive system - Système continu plafond



vista frontale - frontal view - vue de face



- L** = larghezza sistema (cm)
system width (cm)
largeur système (cm)
- lt** = larghezza singolo tessuto
fabric width per unit
largeur chaque toile
- C** = altezza tessuto (cm)
fabric width (cm)
hauteur de la toile (cm)

$$It = \frac{L - 105 \text{ mm}}{2}$$

COD. 693W24 ...DX / SX

F	L	400	440	480	520	560	600						
25 - 312													
67													

F = FINITURE 25 alluminio anodizzato inox
F = FINISHES anodized aluminium steel colour
F = FINITIONS aluminium anodisé inox

65 oro opaco
 matt gold
 or mat

67 alluminio lucido
 bright aluminium
 aluminium poli

P = LATO PERNO - PIVOT SIDE - CÔTÉ PIVOT
 C = LATO CATENA - CHAIN SIDE - CÔTÉ CHAINETTE

DX = DESTRO - RIGHT - DROIT
 SX = SINISTRO - LEFT - GAUCHE

VEGA 50

Sistema a parete - Wall system - Système de face

LATI PERNO - PIVOT SIDE - CÔTÉ PIVOT				FINITURE - FINISHES - FINITIONS				
1		COD.	A	H	25	65	67	
		903418	DX SX	94	53			
		903438	DX SX	144	103			
		903448	DX SX	192	151			
		903478	DX SX	242	201			
LATI CATENA - CHAIN SIDE - CÔTÉ CHAINETTE				FINITURE - FINISHES - FINITIONS				
2		COD.	A	H	25	65	67	
		903419	DX SX	94	53			
		903439	DX SX	144	103			
		903449	DX SX	192	151			
		903479	DX SX	242	201			
DOPPIO LATI PERNO - DOUBLE PIVOT SIDE - DOUBLE CÔTÉ PIVOT				FINITURE - FINISHES - FINITIONS				
3		COD.	A	H	25	65	67	
		903458	DX SX	192	53			
		903498	DX SX	242	103			
DOPPIO LATI CATENA - DOUBLE CHAIN SIDE - DOUBLE CÔTÉ CHAINETTE				FINITURE - FINISHES - FINITIONS				
4		COD.	A	H	25	65	67	
		903459	DX SX	192	53			
		903499	DX SX	242	103			

INTERMEDIO P/P - MIDDLE P/P - INTERMÉDIAIRE P/P				FINITURE - FINISHES - FINITIONS			
5		COD.	A	H	25	65	67
		903614	94	53			
		903664	144	103			
INTERMEDIO P/C - MIDDLE P/C - INTERMÉDIAIRE P/C				FINITURE - FINISHES - FINITIONS			
6		COD.	A	H	25	65	67
		903615	94	53			
		903665	144	103			
INTERMEDIO C/P - MIDDLE P/C - INTERMÉDIAIRE C/P				FINITURE - FINISHES - FINITIONS			
7		COD.	A	H	25	65	67
		903616	94	53			
		903666	144	103			
INTERMEDIO C/C - MIDDLE P/C - INTERMÉDIAIRE C/C				FINITURE - FINISHES - FINITIONS			
8		COD.	A	H	25	65	67
		903617	94	53			
		903667	144	103			



F = FINITURE
F = FINISHES
F = FINITIONS

25 alluminio anodizzato inox
anodized aluminium steel colour
aluminium anodisé inox

65 oro opaco
matt gold
or mat

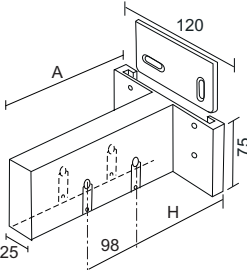
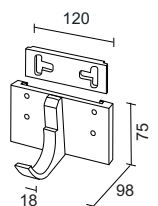
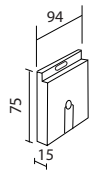
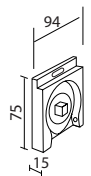
67 alluminio lucido
bright aluminium
aluminium poli

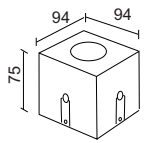
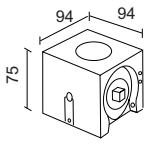
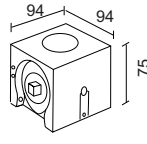
P = LATO PERNO - PIVOT SIDE - CÔTÉ PIVOT
C = LATO CATENA - CHAIN SIDE - CÔTÉ CHAINETTE

DX = DESTRO - RIGHT - DROIT
SX = SINISTRO - LEFT - GAUCHE

VEGA 50

Sistema a parete - Wall system - Système de face

INTERMEDIO DOPPIO - MIDDLE DOUBLE - INTÉRMEDIAIRE DOUBLE				FINITURE - FINISHES - FINITIONS			
1		COD.	A	H	25	65	67
		903634	192	53			
		903734	242	103			
SINGOLO PASSANTE - BYPASSING - SINGLE PASSANT				FINITURE - FINISHES - FINITIONS			
2		COD.	25	65	67		
		903609					
ROSETTA P - RECESS BRACKET P - NAISSANCE MURALE P				FINITURE - FINISHES - FINITIONS			
3		COD.	25	65	67		
		903698	DX				
			SX				
ROSETTA C - RECESS BRACKET C - NAISSANCE MURALE C				FINITURE - FINISHES - FINITIONS			
4		COD.	25	65	67		
		903699	DX				
			SX				

ANGOLARE INTERNO P/P - INNER CORNER P/P - ANGLE INTERNE P/P		FINITURE - FINISHES - FINITIONS			
5		COD.	25	65	67
		903674			
ANGOLARE INTERNO P/C - INNER CORNER P/C - ANGLE INTERNE P/C		FINITURE - FINISHES - FINITIONS			
6		COD.	25	65	67
		903675			
ANGOLARE INTERNO C/P - INNER CORNER C/P - ANGLE INTERNE C/P		FINITURE - FINISHES - FINITIONS			
7		COD.	25	65	67
		903676			
FINITURE - FINISHES - FINITIONS					
8					

F = FINITURE 25 **alluminio anodizzato inox**
F = FINISHES **anodized aluminium steel colour**
F = FINITIONS **aluminium anodisé inox**

65 **oro opaco**
matt gold
or mat

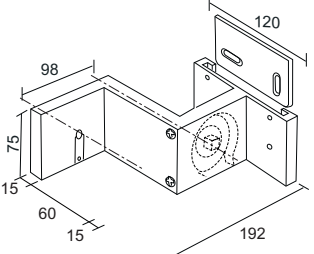
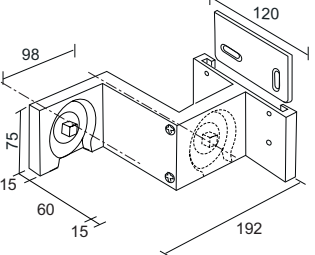
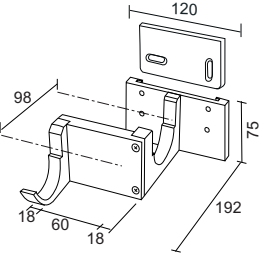
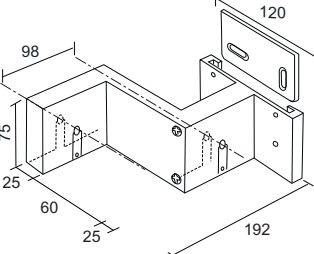
67 **alluminio lucido**
bright aluminium
aluminium poli

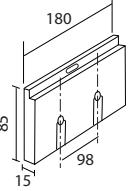
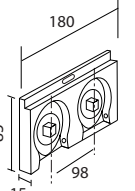
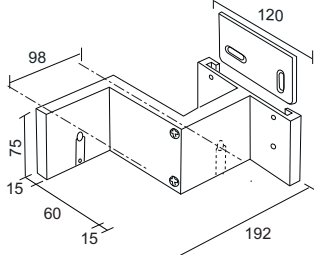
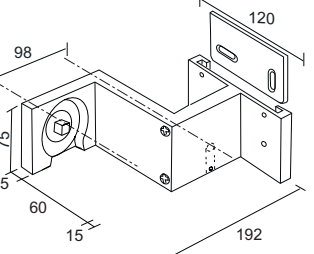
P = LATO PERNO - PIVOT SIDE - CÔTÉ PIVOT
 C = LATO CATENA - CHAIN SIDE - CÔTÉ CHAINETTE

DX = DESTRO - RIGHT - DROIT
 SX = SINISTRO - LEFT - GAUCHE

VEGA 50

Sistema a parete - Wall system - Système de face

SLALOM C/P - SLALOM C/P - SLALOM C/P		FINITURE - FINISHES - FINITIONS			
		COD.	25	65	67
1		903536 DX			
		SX			
SLALOM C/C - SLALOM C/C - SLALOM C/C		FINITURE - FINISHES - FINITIONS			
		COD.	25	65	67
2		903537 DX			
		SX			
SLALOM PASSANTE - SLALOM BYPASSING - SLALOM PASSANT		FINITURE - FINISHES - FINITIONS			
		COD.	25	65	67
3		903559 DX			
		SX			
SLALOM DOPPIO P/P - DOUBLE SLALOM P/P - SLALOM DOUBLE P/P		FINITURE - FINISHES - FINITIONS			
		COD.	25	65	67
4		903584			

ROSETTA DOPPIA P - DOUBLE RECESS BRACKET P - NAISSANCE DOUBLE P		FINITURE - FINISHES - FINITIONS			
		COD.	25	65	67
5		903718 DX			
		SX			
ROSETTA DOPPIA C - DOUBLE RECESS BRACKET C - NAISSANCE DOUBLE C		FINITURE - FINISHES - FINITIONS			
		COD.	25	65	67
6		903719 DX			
		SX			
SLALOM P/P - SLALOM P/P - SLALOM P/P		FINITURE - FINISHES - FINITIONS			
		COD.	25	65	67
7		903534 DX			
		SX			
SLALOM P/C - SLALOM P/C - SLALOM P/C		FINITURE - FINISHES - FINITIONS			
		COD.	25	65	67
8		903535 DX			
		SX			



F = FINITURE
F = FINISHES
F = FINITIONS

25 alluminio anodizzato inox
anodized aluminium steel colour
aluminium anodisé inox

65 oro opaco
matt gold
or mat

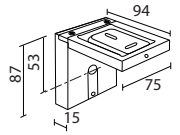
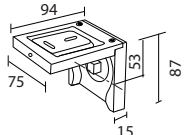
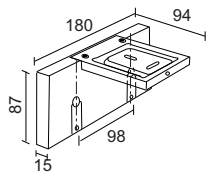
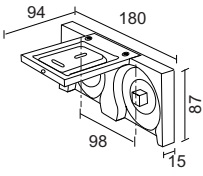
67 alluminio lucido
bright aluminium
aluminium poli

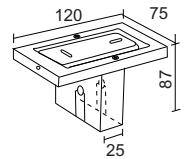
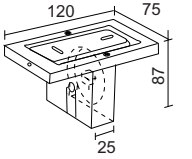
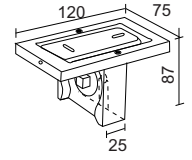
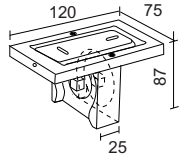
P = LATO PERNO - PIVOT SIDE - CÔTÉ PIVOT
C = LATO CATENA - CHAIN SIDE - CÔTÉ CHAINETTE

DX = DESTRO - RIGHT - DROIT
SX = SINISTRO - LEFT - GAUCHE

VEGA 50

Sistema a soffitto - Ceiling system - Système plafond

LATI PERNO - PIVOT SIDE - PIVOT CÔTÉ		FINITURE - FINISHES - FINITIONS			
		COD.	25	65	67
1		903428			
LATI CATENA - CHAIN SIDE - CÔTÉ CHAINETTE		FINITURE - FINISHES - FINITIONS			
		COD.	25	65	67
2		903429			
DOPPIO P - DOUBLE P - DOUBLE P		FINITURE - FINISHES - FINITIONS			
		COD.	25	65	67
3		903468			
DOPPIO C - DOUBLE C - DOUBLE C		FINITURE - FINISHES - FINITIONS			
		COD.	25	65	67
4		903469			

INTERMEDIO P/P - MIDDLE P/P - INTERMÉDIAIRE P/P		FINITURE - FINISHES - FINITIONS			
		COD.	25	65	67
5		903624			
INTERMEDIO P/C - MIDDLE P/C - INTERMÉDIAIRE P/C		FINITURE - FINISHES - FINITIONS			
		COD.	25	65	67
6		903625			
INTERMEDIO C/P - MIDDLE C/P - INTERMÉDIAIRE C/P		FINITURE - FINISHES - FINITIONS			
		COD.	25	65	67
7		903626			
INTERMEDIO C/C - MIDDLE C/C - INTERMÉDIAIRE C/C		FINITURE - FINISHES - FINITIONS			
		COD.	25	65	67
8		903627			

F = FINITURE
F = FINISHES
F = FINITIONS

25 alluminio anodizzato inox
anodized aluminium steel colour
aluminium anodisé inox

65 oro opaco
matt gold
or mat

67 alluminio lucido
bright aluminium
aluminium poli

P = LATO PERNO - PIVOT SIDE - CÔTÉ PIVOT
C = LATO CATENA - CHAIN SIDE - CÔTÉ CHAINETTE

DX = DESTRO - RIGHT - DROIT
SX = SINISTRO - LEFT - GAUCHE

VEGA 50

Sistema a soffitto - Ceiling system - Système plafond

INTERMEDIO DOPPIO P/P - MIDDLE DOUBLE P/P - INTÉRMÉDIAIRE DOUBLE P/P		FINITURE - FINISHES - FINITIONS			
1		COD.	25	65	67
		903644			
INTERMEDIO PASSANTE - MIDDLE BYPASSING - INTÉRMÉDIAIRE PASSANT		FINITURE - FINISHES - FINITIONS			
2		COD.	25	65	67
		903659			
SLALOM P/P - SLALOM P/P - SLALOM P/P		FINITURE - FINISHES - FINITIONS			
3		COD.	25	65	67
		903544			
SLALOM P/C - SLALOM P/C - SLALOM P/C		FINITURE - FINISHES - FINITIONS			
4		COD.	25	65	67
		903545			

SLALOM C/P - SLALOM C/P - SLALOM C/P		FINITURE - FINISHES - FINITIONS			
5		COD.	25	65	67
		903546			
SLALOM C/C - SLALOM C/C - SLALOM C/C		FINITURE - FINISHES - FINITIONS			
6		COD.	25	65	67
		903547			
SLALOM PASSANTE DOPPIO - DOUBLE BYPASSING SLALOM - SLALOM DOUBLE PASSANT		FINITURE - FINISHES - FINITIONS			
7		COD.	25	65	67
		903569			
SLALOM DOPPIO P/P - DOUBLE SLALOM P/P - SLALOM DOUBLE P/P		FINITURE - FINISHES - FINITIONS			
8		COD.	25	65	67
		903594			



F = FINITURE
F = FINISHES
F = FINITIONS

25 alluminio anodizzato inox
anodized aluminium steel colour
aluminium anodisé inox

65 oro opaco
matt gold
or mat

67 alluminio lucido
bright aluminium
aluminium poli

P = LATO PERNO - PIVOT SIDE - CÔTÉ PIVOT
C = LATO CATENA - CHAIN SIDE - CÔTÉ CHAINETTE

DX = DESTRO - RIGHT - DROIT
SX = SINISTRO - LEFT - GAUCHE

VEGA 50

Sistema motorizzabile - Remote control available - Motorisable

Sistema a soffitto - Ceiling system - Système plafond

ANGOLARE INTERNO P/C - INNER CORNER P/C - ANGLE INTERNE P/C		FINITURE - FINISHES - FINITIONS			
1		COD.	25	65	67
		903685			
ANGOLARE INTERNO C/P - INNER CORNER C/P - ANGLE INTERNE C/P		FINITURE - FINISHES - FINITIONS			
2		COD.	25	65	67
		903686			
ANGOLARE INTERNO P/P - INNER CORNER P/P - ANGLE INTERNE P/P		FINITURE - FINISHES - FINITIONS			
3		COD.	25	65	67
		903684			
ANGOLARE ESTERNO P/P - OUTER CORNER P/P - ANGLE EXTÉRNE P/P		FINITURE - FINISHES - FINITIONS			
4		COD.	25	65	67
		903724			

MECCANICA		MECHANISM		MÉCANIQUE	
RULLO IN ALLUMINO VERNICIATO		PAINTED ALUMINIUM TUBE		TUBE ALUMINIUM VERNI	
BINARIETTO ALLUMINIO ANODIZZATO		ANODIZED ALUMIUM BAR		RAIL ALUMINIUM ANODISÉ	
ROCCHETTO CATENA		CHAIN PULLEY		BOBINE CHAINETTE	
CONTROPUNTA PER RULLO		BOLT		POINTE	
CATENA IN METALLO CROMATO		CHROMED METAL CHAIN		CHAINETTE METAL CHROMÉ	
PESO IN ALLUMINO 40x12 mm		ALUMINIUM WEIGHT 40X12mm		BARRE DE LESTAGE ALU 40X12mm	
TAPPI PER PESO		WEIGHT END CAP		BOUCHON POUR BARRE LESTAGE	
MOLLA DI RITORNO (OLTRE 160cm)		REVERT SPRING (OVER 160cm)		RESSORT (AU DELÀ DE 160cm)	
CONFEZIONE TESSUTO		CURTAIN MAKING		CONFECTION TISSUS	
MONTAGGIO E COLLAUDO TESSUTO SU SISTEMA		FABRIC SET UP AND SYSTEM TEST		MONTAGE TOILE ET TEST DU STORE	
80	100	120	140	160	180
200	220	240	260	280	300