

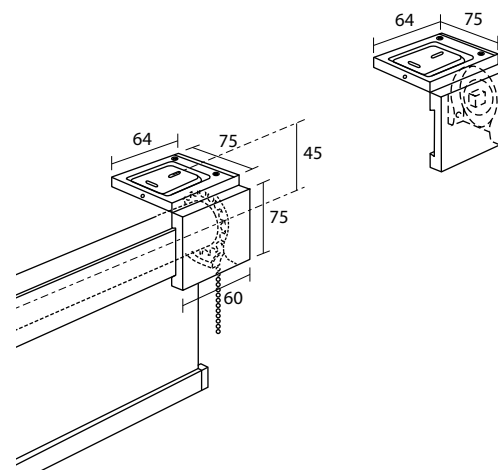
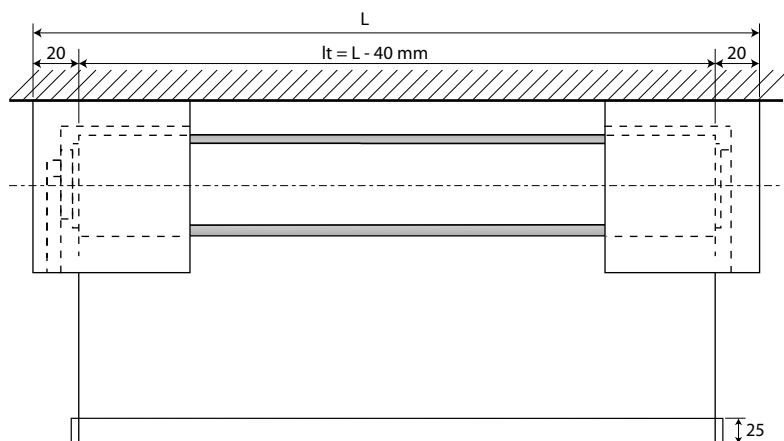
Cod. 823A19...SX / DX

Sistema a parete
Wall system

Système de face
Wandmontage

Sistema pared
System ścienny

| Cod. | 823419SX / DX | 823439SX / DX |
|--------|---------------|---------------|
| A - mm | 90 | 140 |
| H - mm | 45 | 95 |



Cod. 823T29...SX / DX

Sistema a soffitto
Ceiling system

Système plafond
Deckenmontage

Sistema techo
System sufitowy



18



25



65



67



312

A = Sporgenza supporto - Bracket's projection - Retour support - Träger Abstand - Escuadra de separación - Występ wspornika

H = Distanza parete - Wall distance - Retour du mur - Wand Abstand - Distancia pared - Odległość od ściany

L = Larghezza sistema (cm) - System width (cm) - Largeur système (cm) - Gesamtbreite (cm) - Ancho sistema (cm) - Szerokość systemu (cm)

It = Larghezza singolo tessuto - Fabric width per unit - Largeur chaque toile - Stoff Breite - Ancho de cada tejido - Szerokość pojedynczej tkaniny



FIN 18 - 25 - 312

Supporti - Brackets - Supports - Träger - Soportes - Wsporniki Cod. 823419 - 823429

| L - cm CT | 80 | | | | | | 100 | | | | | | 120 | | | | | |
|--------------|--------|---|---|---|---|---|-----|---|---|---|---|---|-----|---|---|---|---|---|
| | A | B | C | D | E | F | A | B | C | D | E | F | A | B | C | D | E | F |
| 120 | C - cm | | | | | | | | | | | | | | | | | |
| 140 | | | | | | | | | | | | | | | | | | |
| 160 | | | | | | | | | | | | | | | | | | |
| 180 | | | | | | | | | | | | | | | | | | |
| 200 | | | | | | | | | | | | | | | | | | |
| 220 | | | | | | | | | | | | | | | | | | |
| 240 | | | | | | | | | | | | | | | | | | |
| 260 | | | | | | | | | | | | | | | | | | |
| 280 | | | | | | | | | | | | | | | | | | |
| 300 | | | | | | | | | | | | | | | | | | |

| L - cm CT | 140 | | | | | | 160 | | | | | | |
|--------------|--------|---|---|---|---|---|-----|---|---|---|---|---|--|
| | A | B | C | D | E | F | A | B | C | D | E | F | |
| 120 | C - cm | | | | | | | | | | | | |
| 140 | | | | | | | | | | | | | |
| 160 | | | | | | | | | | | | | |
| 180 | | | | | | | | | | | | | |
| 200 | | | | | | | | | | | | | |
| 220 | | | | | | | | | | | | | |
| 240 | | | | | | | | | | | | | |
| 260 | | | | | | | | | | | | | |
| 280 | | | | | | | | | | | | | |
| 300 | | | | | | | | | | | | | |

Maggiorazioni - Surcharges - Suppléments - Zuschläge - Suplementos - Dodatkowa opłata

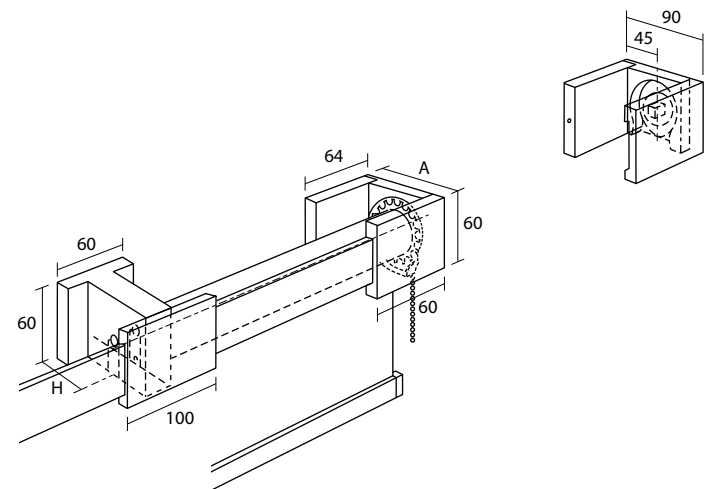
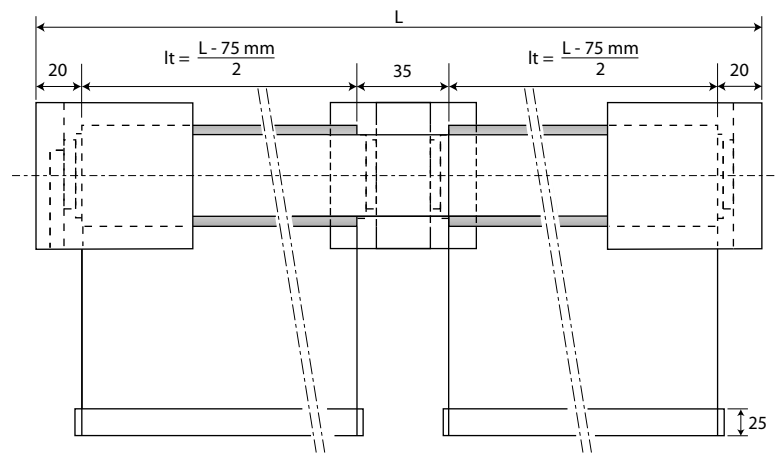
| L - cm | 80 | 100 | 120 | 140 | 160 |
|---------|----|-----|-----|-----|-----|
| 65 - 67 | | | | | |

FIN = Finitura - Finish - Finition - Fertigung - Acabado - Wykończenie

L = Larghezza sistema (cm) - System width (cm) - Largeur système (cm) - Gesamtbreite (cm) - Ancho sistema (cm) - Szerokość systemu (cm)

CT = Classe tessuto - Fabric category - Catégorie tissu - Gewebegruppe - Categoría tejido - Klasa tkaniny

C = Altezza tessuto (cm) - Fabric height (cm) - Hauteur de la toile (cm) - Stoff Höhe (cm) - Altura tejido (cm) - Wysokość tkaniny (cm)



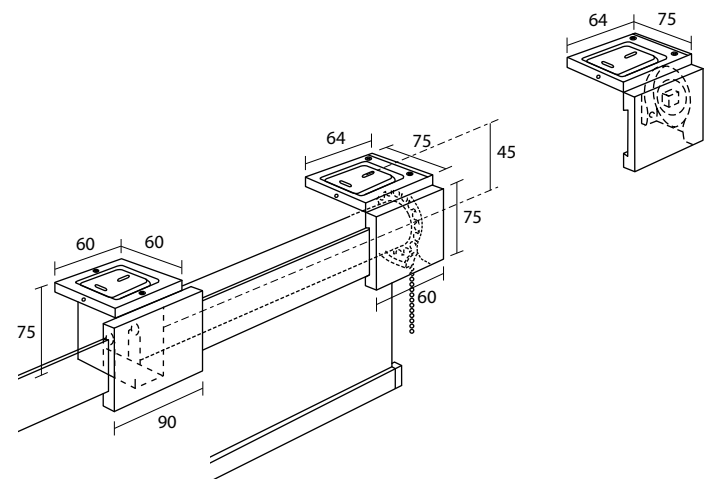
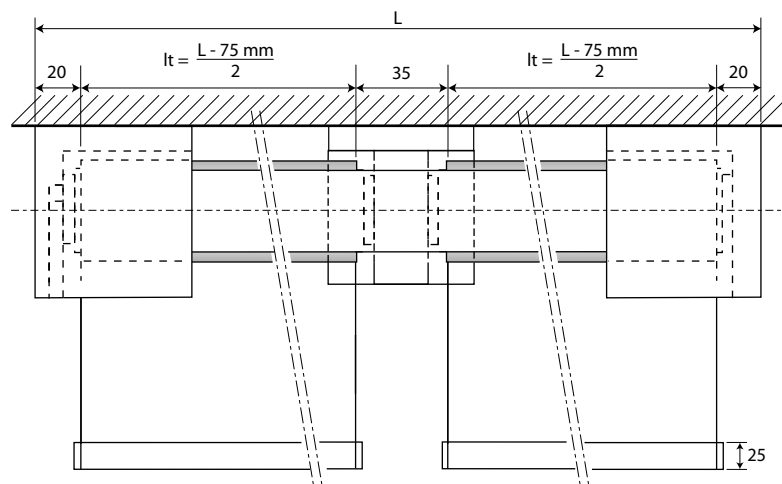
Cod. 823B14...SX / DX

Sistema continuo a parete
Wall consecutive system

Système continu de face
Wandsystem mit Seite an Seite Stoffen

Sistema pared continuo
System ścienny ciągły

| Cod. | 823419SX / DX | 823439SX / DX |
|--------|---------------|---------------|
| A - mm | 90 | 140 |
| H - mm | 45 | 95 |



Cod. 823W24...SX / DX

Sistema continuo a soffitto
Ceiling consecutive system

Système continu plafond
Deckensystem mit Seite an Seite Stoffen

Sistema continuo techo
System sufitowy ciągły



18



25



65



67



312

A = Sporgenza supporto - Bracket's projection - Retour support - Träger Abstand - Escuadra de separación - Występowspornika
 H = Distanza parete - Wall distance - Retour du mur - Wand Abstand - Distancia pared - Odległość od ściany
 L = Larghezza sistema - System width (cm) - Largeur système (cm) - Gesamtbreite (cm) - Ancho sistema (cm) - Szerokość systemu (cm)
 lt = Larghezza singolo tessuto - Fabric width per unit - Largeur chaque toile - Stoff Breite - Ancho de cada tejido - Szerokość pojedynczej tkaniny



FIN 18 - 25 - 312

Supporti - Brackets - Supports - Träger - Soportes - Wsporniki Cod. 823419 - 823429

| L - cm CT | 200 | | | | | | 240 | | | | | |
|--------------|-----|---|---|---|---|---|-----|---|---|---|---|---|
| | A | B | C | D | E | F | A | B | C | D | E | F |
| 120 | | | | | | | | | | | | |
| 140 | | | | | | | | | | | | |
| 160 | | | | | | | | | | | | |
| 180 | | | | | | | | | | | | |
| 200 | | | | | | | | | | | | |
| 220 | | | | | | | | | | | | |
| 240 | | | | | | | | | | | | |
| 260 | | | | | | | | | | | | |
| 280 | | | | | | | | | | | | |
| 300 | | | | | | | | | | | | |

| L - cm CT | 280 | | | | | | 320 | | | | | |
|--------------|-----|---|---|---|---|---|-----|---|---|---|---|---|
| | A | B | C | D | E | F | A | B | C | D | E | F |
| 120 | | | | | | | | | | | | |
| 140 | | | | | | | | | | | | |
| 160 | | | | | | | | | | | | |
| 180 | | | | | | | | | | | | |
| 200 | | | | | | | | | | | | |
| 220 | | | | | | | | | | | | |
| 240 | | | | | | | | | | | | |
| 260 | | | | | | | | | | | | |
| 280 | | | | | | | | | | | | |
| 300 | | | | | | | | | | | | |

Maggiorazioni - Surcharges - Suppléments - Zuschläge - Suplementos - Dodatkowa opłata

| L - cm | 200 | 240 | 280 | 320 |
|---------|-----|-----|-----|-----|
| 65 - 67 | | | | |

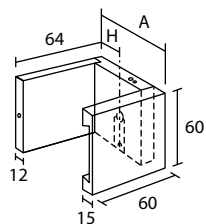
FIN = Finitura - Finish - Finition - Fertigung - Acabado - Wykończenie

L = Larghezza sistema (cm) - System width (cm) - Largeur système (cm) - Gesamtbreite (cm) - Ancho sistema (cm) - Szerokość systemu (cm)

CT = Classe tessuto - Fabric category - Catégorie tissu - Gewebegruppe - Categoría tejido - Klasa tkaniny

C = Altezza tessuto (cm) - Fabric height (cm) - Hauteur de la toile (cm) - Stoff Höhe (cm) - Altura tejido (cm) - Wysokość tkaniny (cm)

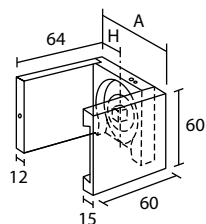
GALATEA



8234-- 973418 N&D

Lato perno
Pivot side
Côté pivot

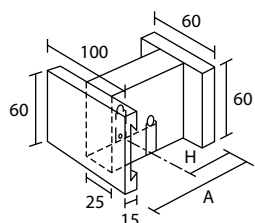
Träger Achseseite
Lado pivote
Strona czopa



8234-- 973419 N&D

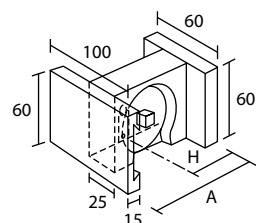
Lato catena
Chain side
Côté chainette

Träger Ketteseite
Lado cadena
Strona łańcuszka



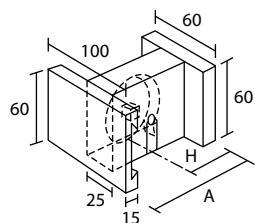
823614 973419 N&D

Intermedio P/P
Middle P/P
Intermédiaire P/P
Mittelträger P/P
Intermedio P/P
Środkowy P/P



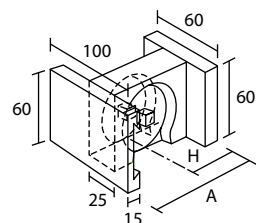
823615 973615 N&D

Intermedio P/C
Middle P/C
Intermédiaire P/C
Mittelträger P/C
Intermedio P/C
Środkowy P/C



823616 973616 N&D

Intermedio C/P
Middle C/P
Intermédiaire C/P
Mittelträger C/P
Intermedio C/P
Środkowy C/P



823617 973617 N&D

Intermedio C/C
Middle C/C
Intermédiaire C/C
Mittelträger C/C
Intermedio C/C
Środkowy C/C

P = Lato perno - Pivot side - Côté pivot - Achseseite - Lado Pivote - Strona czopa
C = Lato catena - Chain side - Côté chainette - Ketteseite - Lado cadena - Strona łańcuszka

SISTEMA A PARETE - WALL SYSTEM - SYSTÈME DE FACE - WANDMONTAGE - SISTEMA PARED - SYSTEM ŚCIENNY

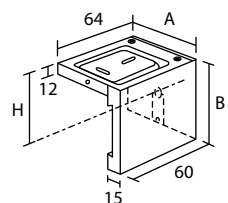
| Cod. | | 823418SX / DX | 823438SX / DX | 973418SX / DX N&D |
|------|---------------|---------------|---------------|-------------------|
| FIN | A - mm | 90 | 140 | 125 |
| | H - mm | 45 | 95 | 55 |
| | 18 - 25 - 312 | | | |
| | 65 - 67 | | | |

| Cod. | | 823419SX / DX | 823439SX / DX | 973419SX / DX N&D |
|------|---------------|---------------|---------------|-------------------|
| FIN | A - mm | 90 | 140 | 125 |
| | H - mm | 45 | 95 | 55 |
| | 18 - 25 - 312 | | | |
| | 65 - 67 | | | |

| Cod. | | 823614SX / DX | 973614SX / DX N&D | 823615SX / DX | 973615SX / DX N&D |
|------|---------------|---------------|-------------------|---------------|-------------------|
| FIN | A - mm | 90 | 125 | 90 | 125 |
| | H - mm | 45 | 55 | 45 | 55 |
| | 18 - 25 - 312 | | | | |
| | 65 - 67 | | | | |

| Cod. | | 823616SX / DX | 973616SX / DX N&D | 823617SX / DX | 973617SX / DX N&D |
|------|---------------|---------------|-------------------|---------------|-------------------|
| FIN | A - mm | 90 | 125 | 90 | 125 |
| | H - mm | 45 | 55 | 45 | 55 |
| | 18 - 25 - 312 | | | | |
| | 65 - 67 | | | | |

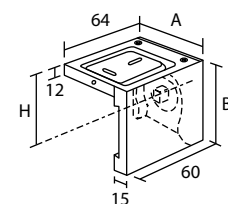
GALATEA



823428 973428 N&D

Lato perno
Pivot side
Côté pivot

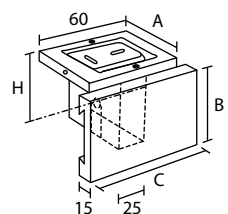
Träger Achseseite
Lado pivote
Strona czopa



823429 923429 N&D

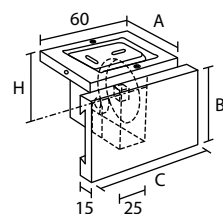
Lato catena
Chain side
Côté chainette

Träger Ketteseite
Lado cadena
Strona łańcuszka



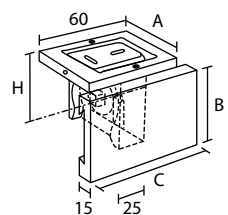
823624 973624 N&D

Intermedio P/P
Middle P/P
Intermédiaire P/P
Mittelträger P/P
Intermedio P/P
Środkowy P/P



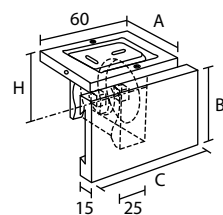
823625 973625 N&D

Intermedio P/C
Middle P/C
Intermédiaire P/C
Mittelträger P/C
Intermedio P/C
Środkowy P/C



823626 973626 N&D

Intermedio C/P
Middle C/P
Intermédiaire C/P
Mittelträger C/P
Intermedio C/P
Środkowy C/P



823627 973627 N&D

Intermedio C/C
Middle C/C
Intermédiaire C/C
Mittelträger C/C
Intermedio C/C
Środkowy C/C

P = Lato perno - Pivot side - Côté pivot - Achseseite - Lado Pivote - Strona czopa
C = Lato catena - Chain side - Côté chainette - Ketteseite - Lado cadena - Strona łańcuszka

SISTEMA A SOFFITTO - CEILING SYSTEM - SYSTÈME PLAFOND - DECKENMONTAGE - SISTEMATECHO - SYSTEM SUFITOWY

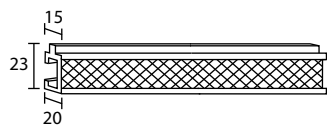
| Cod. | | 823428SX / DX | 973428SX / DX N&D |
|---------------|--------|---------------|-------------------|
| FIN | A - mm | 75 | 105 |
| | B - mm | 75 | 82 |
| | H - mm | 45 | 59 |
| 18 - 25 - 312 | | | |
| 65 - 67 | | | |

| Cod. | | 823429SX / DX | 973429SX / DX N&D |
|---------------|--------|---------------|-------------------|
| FIN | A - mm | 75 | 105 |
| | B - mm | 75 | 82 |
| | H - mm | 45 | 59 |
| 18 - 25 - 312 | | | |
| 65 - 67 | | | |

| Cod. | | 823624 | 973624 N&D | 823625 | 973625 N&D |
|---------------|--------|--------|------------|--------|------------|
| FIN | A - mm | 75 | 105 | 75 | 105 |
| | B - mm | 75 | 82 | 75 | 82 |
| | C - mm | 90 | 100 | 90 | 100 |
| | H - mm | 45 | 59 | 45 | 59 |
| 18 - 25 - 312 | | | | | |
| 66 - 67 | | | | | |

| Cod. | | 823626 | 973626 N&D | 823627 | 973627 N&D |
|---------------|--------|--------|------------|--------|------------|
| FIN | A - mm | 75 | 105 | 75 | 105 |
| | B - mm | 75 | 82 | 75 | 82 |
| | C - mm | 90 | 100 | 90 | 100 |
| | H - mm | 45 | 59 | 45 | 59 |
| 18 - 25 - 312 | | | | | |
| 66 - 67 | | | | | |

GALATEA



4030

Profilo velcrato
Velcro profile
Profil velcro

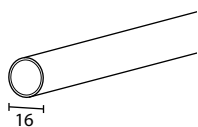
Profil mit klettband
Perfil velcrado
Profil z rzepem



973303

Agganci
Hooks
Crochets

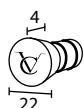
Befestigungshaken
Enganches
Haczyki



164100

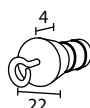
Peso
Weight bar
Barre de lestage

Beschwerungsprofil
Perfil contrapeso
Obciążnik

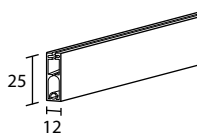


163055

Tappo per peso
Endcap for weight bar
Bouchon pour barre de lestage
Endkappe Für Beschwerungsprofil
Tapón para contrapeso
Zasleпка obciążnika



163245



253120

Peso
Weight bar
Barre de lestage
Beschwerungsprofil
Perfil contrapeso
Obciążnik



253135

Tappo per peso
Endcap for weight bar
Bouchon pour barre de lestage
Endkappe Für Beschwerungsprofil
Tapón para contrapeso
Zasleпка obciążnika

COMPONENTI - COMPONENTS - COMPOSANTS - ZUBEHÖR - COMPONENTES - CZĘŚCI

| | | |
|-------------|---------------|-------------|
| Cod. | | 4030 |
| FIN | L - mt | 1 |
| 25 | | |

| | | |
|-------------|--|---------------|
| Cod. | | 973303 |
| FIN | | |
| 25 | | |

| | | |
|----------------------|---------------|---------------|
| Cod. | | 164100 |
| FIN | L - mt | 1 |
| 18 - 25 - 312 | | |
| 65 - 67 | | |

| | | |
|----------------------|---------------|---------------|
| Cod. | 163055 | 163245 |
| FIN | | |
| 18 - 25 - 312 | | |
| 65 - 67 | | |

| | | |
|----------------------|---------------|---------------|
| Cod. | 253120 | 253135 |
| FIN | L - mt | 1 |
| 18 - 25 - 312 | | |
| 65 - 67 | | |